

PART NAME: KNOB

SCALE: 1:1

DATE: 5/31/72

DR. BY NH

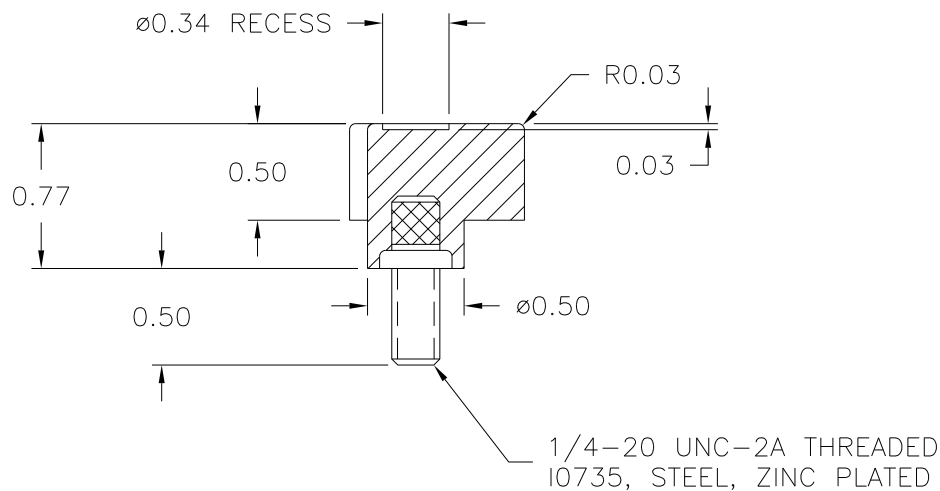
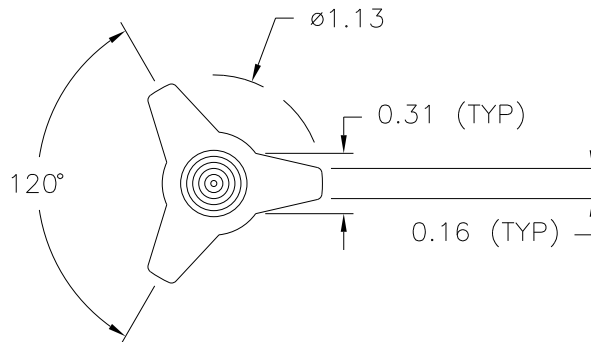


DESIGNERS & MANUFACTURERS
OF KNOBS, HANDLES, CASES &
CUSTOM PLASTIC COMPONENTS

P/N 3025AS

THIS DRAWING IS THE PROPERTY OF DAVIES MOLDING COMPANY, IS SUBMITTED SOLELY AS A DESIGN OR ENGINEERING PROJECT.
WE ACCEPT NO RESPONSIBILITY WHATSOEVER FOR THE PRACTICAL APPLICATION OF THE PIECES MADE TO THIS DESIGN.

M ^{NO.}	3025
CAVITY	3025
PLUNGER	3025
PLUNGER PIN	3025-A
PINS	3025-1
SHIMS	1/4 + 1/8
INSERT	I0735



MATERIAL: G.P. PHENOLIC (B11)
COLOR: BLACK

TOLERANCES: UNLESS OTHERWISE SPECIFIED	DO NOT SCALE DRAWING	-	RE-DID REDRAW	TL	11/16/99
DECIMALS: X.XXX ± .005 X.XX ± .015	MM: X.XX ± 0.15MM X.X ± 0.4MM	-	UPDATED DWG.	HD	8/8/97
FRACTIONS ± 1/64	ANG. ± 1°	-	CAD REDRAW	HD	2/10/95
CHANGES					