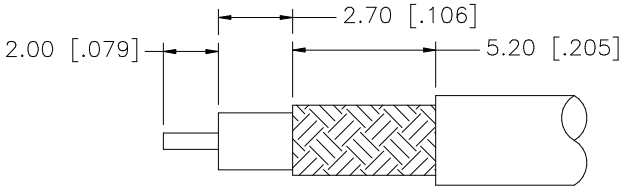
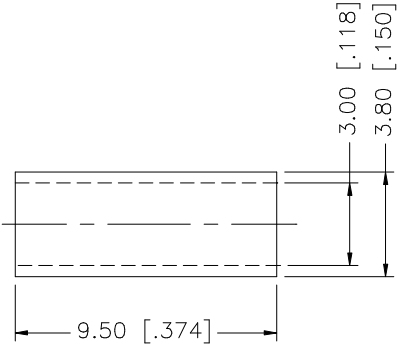
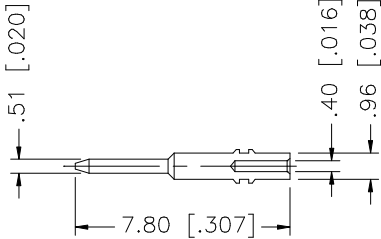
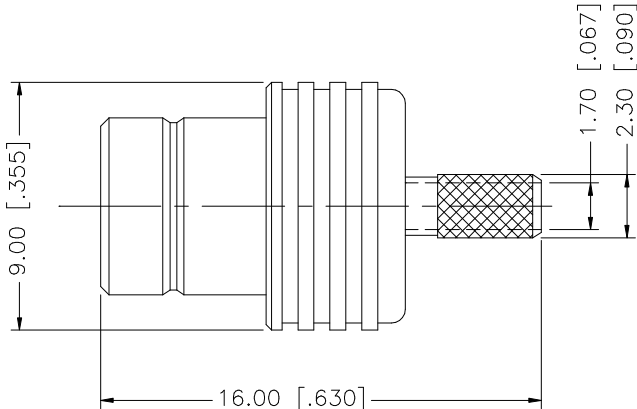


REV.	DATE	DESCRIPTION
NC	06/30/05	INITIAL RELEASE
A	10/02/06	REMOVAL OF CRIMP NOTE 2



RECOMMENDED
CABLE STRIPPING DIM'S



NOTE:
1. CRIMPED FERRULE
HEX CRIMP SIZE .128"

8				
7				
6				
5				
4	FERRULE	COPPER	GOLD	1
3	CONTACT PIN	BRASS	GOLD	1
2	INSULATOR	TEFLON	NATURAL	1
1	BODY	BRASS	GOLD	1
	DESCRIPTION	MATERIAL	FINISH	QTY

UNLESS OTHERWISE SPECIFIED DIMENSIONS ARE IN MILLIMETERS. DIMENSIONS IN [] ARE IN INCHES AND FOR CUSTOMER REFERENCE ONLY.

UNLESS OTHERWISE SPECIFIED TOLERANCES FOR MILLIMETERS ARE:
0.5 - 8mm ± 0.20mm
8 - 30mm ± 0.40mm
30 - 120mm ± 0.50mm

UNLESS OTHERWISE SPECIFIED TOLERANCES FOR INCHES ARE:
.020 - .315 = ± 0.007"
.315 - 1.180 = ± 0.015"
1.180 - 4.724 = ± 0.020"

DO NOT SCALE DRAWING

APPROVALS	DATE
DRAWN G.R.S.	10/02/06
CHECKED	
ISSUED	
SHEET 1 OF 1	
CAD FILE	C:/142/142107.DWG

Amphenol Connex

PART DESCRIPTION		SMZ CRIMP JACK (FOR RG-1279/U, 187A/U)		
PART NO.		142107		
DWG. NO.	142107.DWG	REV.	A	SCALE NA