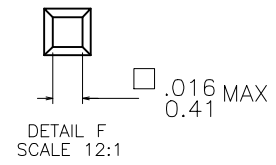
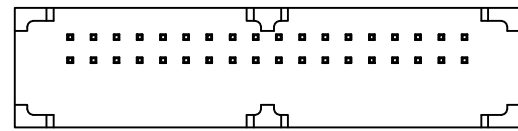
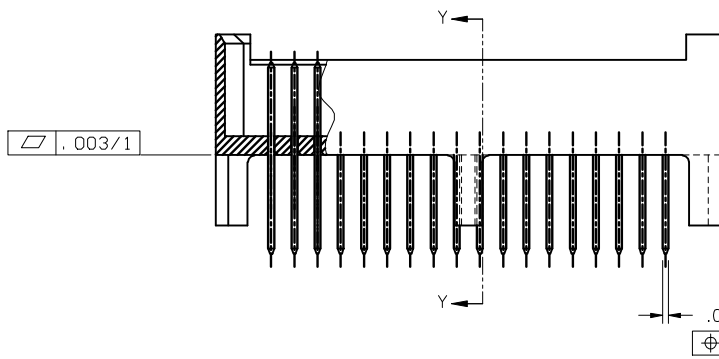
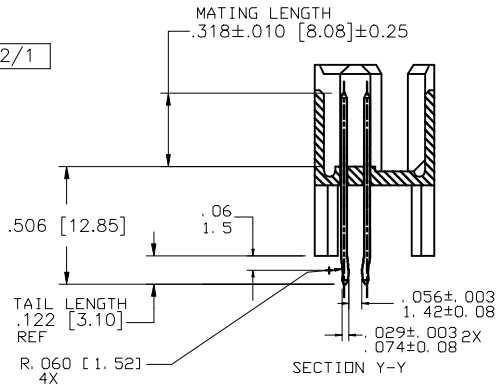
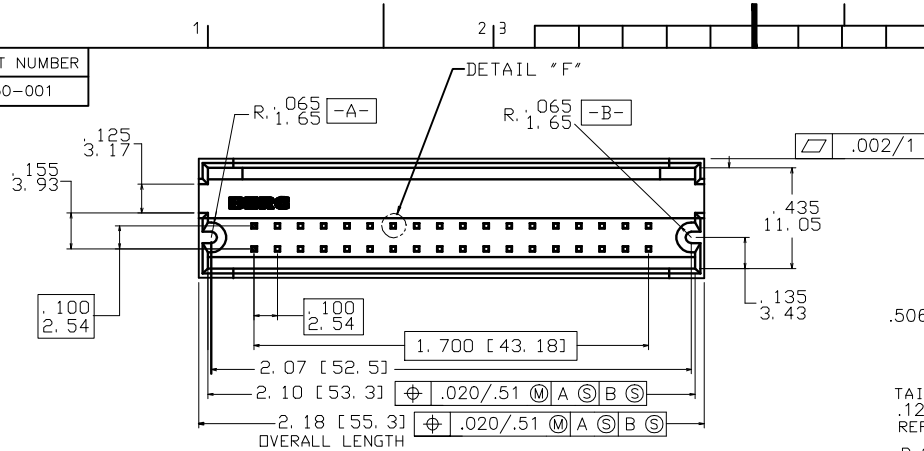


PRODUCT NUMBER
71230-001



mat'l. code		surface		tolerance		projection		product family	
NOTES 1 & 2		ISO 1302 ✓		ISO 406 ISO 1101		INCH/MM		HEADER	
lir	ec'n no	dr	date	tolerances unless otherwise specified		scale 1.5:1		title	
A	V50957	MDF	8/1/95	angles	XXX.01/XXX.03	INCH/MM		MODIFIED SLOTTED HEADER	
B	V51295	MDF	1/10/96	linear	XXX±.005/XXX±.013	scale 1.5:1		VERTICAL 2X18 W/RET.	
C	C90013	EPK	3/18/99	0°±2'	XXX±.0020/XXX±.0051	scale 1.5:1		dwg no	
D	M05-0204	ERE	10/26/05	dr	M.FETROW	8/1/95		sheet 1 of 2 size	
E	M09-0059	MHT	4/16/09	engr	L.FYE	8/1/95		71230	
				chr	L.FYE	8/1/95		A3	
				appd	L.FYE	8/1/95		type	
								Product Customer Drawing	
sheet	revision	E	E						
index	sheet	1	2						



Copyright FCI

form A3

PRODUCT NUMBER	SIZE	TAIL LENGTH	OVERALL LENGTH	LEAD FREE OPTION
71230-001	2 X 18	.122/3.10	2.18/55.3	NOTE 8

NOTES:

- ① MOLDING MATERIAL: HI-TEMP RESIN PER UL 94V-0
COLOR: NATURAL
- ② TERMINAL MATERIAL: 3/4 HARD PHOS BRONZE ALLOY
3. PLATING: 30u"/0.76u GXT.
4. PIN RETENTION TO BE 3 LBS/1.36 KG MIN PER PIN IN EITHER DIRECTION.
5. RETENTION FEATURES ARE LOCATED ON THE TWO MOST CENTRAL PAIRS FOR SIZES 2 X 24 AND BELOW. FOR SIZES 2 X 25 AND ABOVE, TWO PAIR ON BOTH ENDS, 2ND AND 3RD COLUMNS, ARE RETENTIVE.
6. MAKE FROM PART NUMBER 71228.
7. PACKAGE PER BUS-14-093-2.
- ⑧ ADD "LF" SUFFIX AT THE END OF PART NUMBER FOR LEAD FREE OPTION.
- ⑨ THESE PRODUCTS MEET EUROPEAN UNION DIRECTIVES AND OTHER COUNTRY REGULATIONS AS DESCRIBED IN GS-22-008.
10. THE HOUSING WILL WITHSTAND EXPOSURE TO 260°C PEAK TEMPERATURE FOR 15 SECONDS IN A WAVE SOLDER APPLICATION WITH A 1.5mm MINIMUM THICK CIRCUIT BOARD. SEE APPLICATION NOTES/PROCEDURES IF THEY ARE AVAILABLE.
- ⑪ PLATING OPTIONS:
MAY BE EITHER GOLD OR GXT PLATED AT MANUFACTURER'S OPTION.



Copyright FCI

mat'l. code		surface		tolerance		projection		product family	
NOTES 1 & 2		ISO 1302		ISO 406		ISO 1101		HEADER	
ltr	ecn no	dr	date	tolerances unless otherwise specified					
E				angles	linear	INCH/MM		title	
				0° ± 2'		scale 1.5:1		MODIFIED SLOTTED HEADER	
				dr	M.FETROW	8/1/95	FCI		sheet 2 of 2 size
				engr	L.FYE	8/1/95	71230		A3
				chr	L.FYE	8/1/95	type		Product Customer Drawing
				appd	L.FYE	8/1/95			
sheet	revision								
index	sheet								