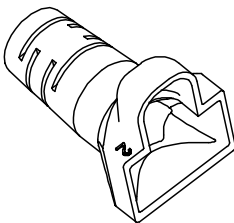
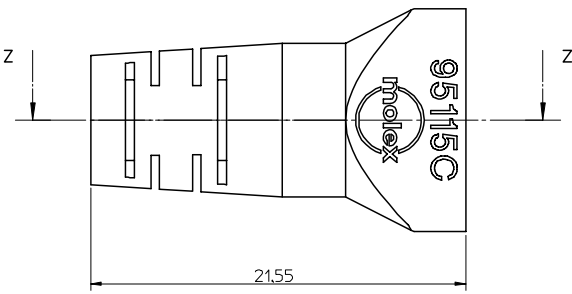
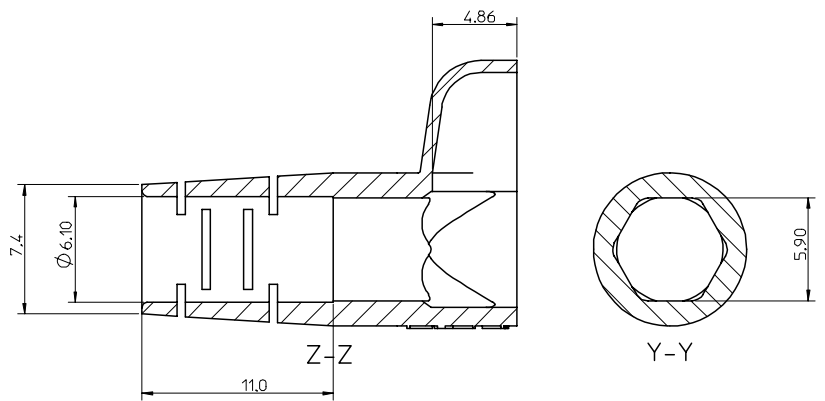
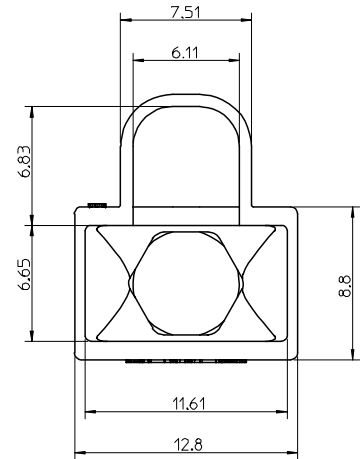
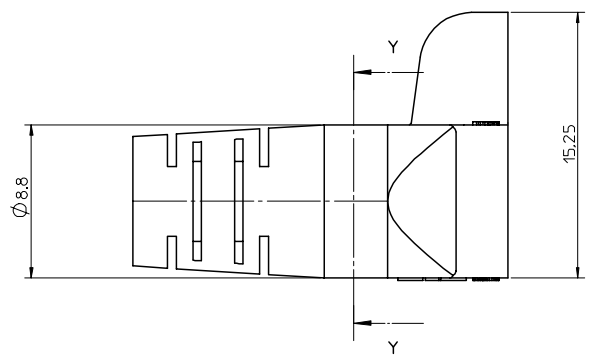
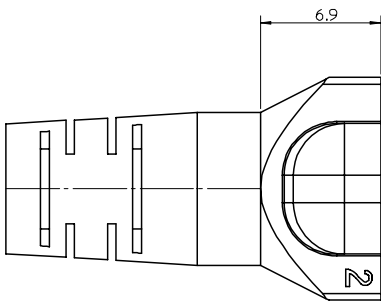


13 12 11 10 9 8 7 6 5 4 3 2 1

J I H G F E D C B A



PART NUMBER CHART			
PART NUMBER	MARKING	COLOUR	RAL NBR
95115-4881	95115 C	BLACK	9005
95115-4882	95115 C	GREY	7035
95115-4883	95115 C	GREEN	6016
95115-4884	95115 C	RED	3000
95115-4885	95115 C	YELLOW	1021
95115-4886	95115 C	BLUE	5015
95115-4887	95115 C	ORANGE	2003



- NOTES:
- 1- MATERIAL: THERMOPLASTIC RUBBER 'SANTOPRENE 251-80' FROM MONSANTO RATED UL 94 V-0, HARDNESS 80 SHORE A COLOUR: SEE CHART
 - 2- EXTERNAL ASPECT AND COLOUR MUST BE UNIFORM
 - 3- DIMENSIONS GIVEN ABOUT CENTRELINES ARE SYMMETRICAL ABOUT CENTRELINES WITHIN HALF THE TOTAL TOLERANCE.
 - 4- NO BURRS, MARKS ALLOWED ON ALL OUTER SURFACES.
 - 5- APPLICATION SPECIFICATION: AS-85568-002
 - 6- PACKAGING SPECIFICATION: SEE PK-95115-001

ORIGINAL RELEASE EC NO: E2007-0982 DRAWN BY: DBYRNES CHKD: EOMAHONY APPR: EOMAHONY DATE: 2007/05/24 DATE: 2007/05/23	QUALITY SYMBOLS ▽=0 ▽=0	GENERAL TOLERANCES (UNLESS SPECIFIED)		DIMENSION STYLE MM ONLY		SCALE 5:1	DESIGN UNITS METRIC	THIRD ANGLE PROJECTION
		4 PLACES ± --- ± --- 3 PLACES ± --- ± --- 2 PLACES ± 0.20 ± --- 1 PLACE ± 0.3 ± --- ANGULAR ± 5 °	mm INCH	DRAWN BY DBYRNES	DATE 2007/05/22	CHECKED BY EOMAHONY	DATE 2007/05/23	TITLE ROUND CABLE BOOT WITH LATCH PROTECTION FOR MODULAR PLUG
A	REV	DRAFT WHERE APPLICABLE MUST REMAIN WITHIN DIMENSIONS		SEE CHART		MOLEX INCORPORATED SD-95115-001		SHEET NO. 1 OF 1

12 11 10 9 8 7 6 5 4 3 2 1