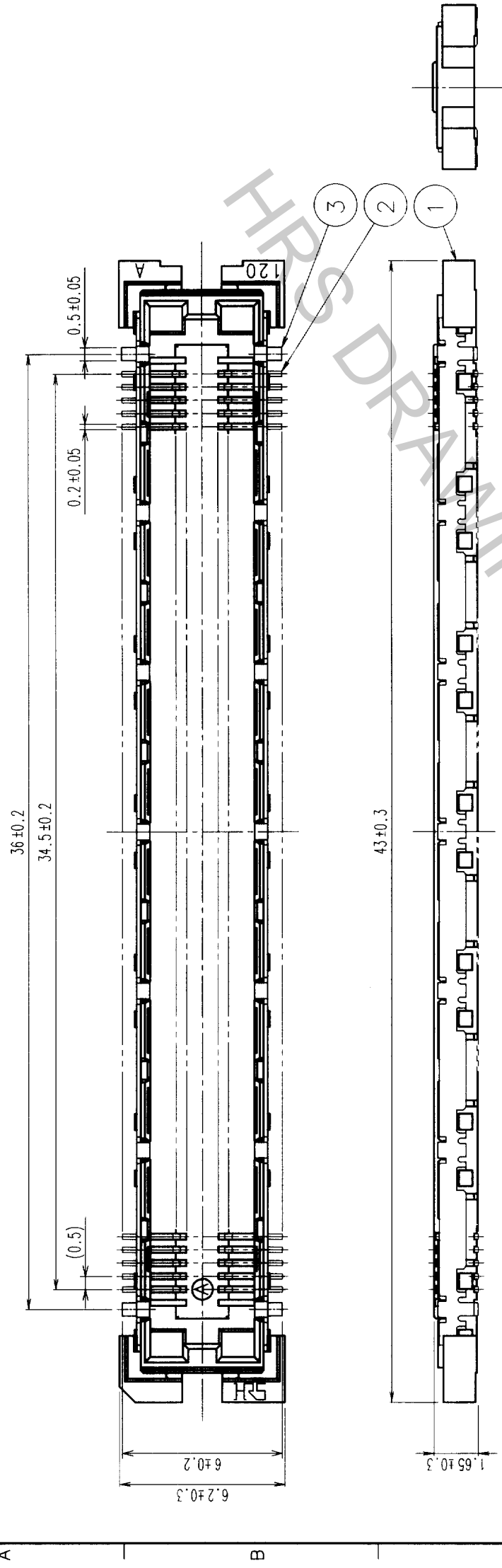
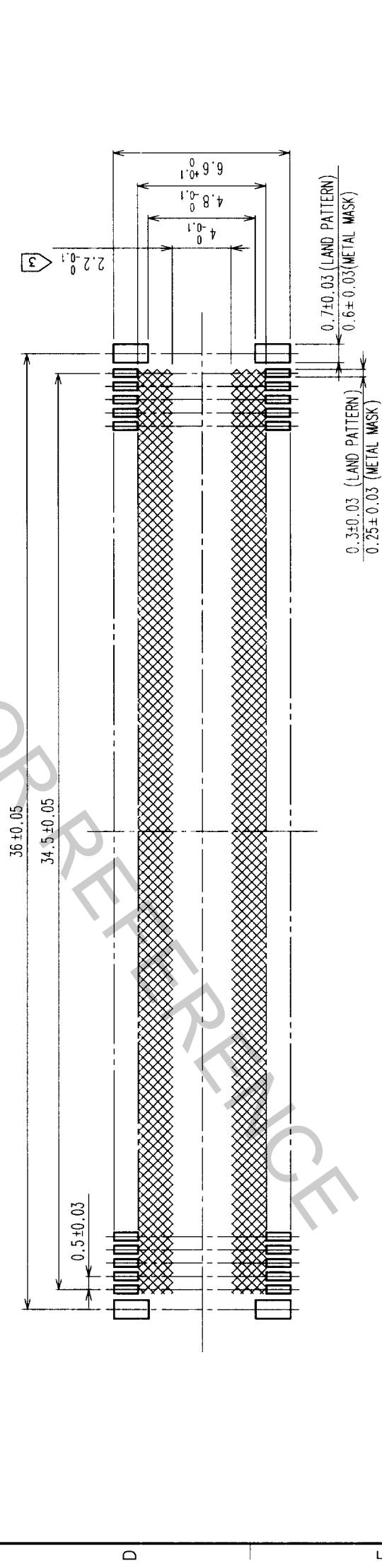


COUNT DESCRIPTION OF REVISIONS	BY	CHKD	DATE	COUNT DESCRIPTION OF REVISIONS	BY	CHKD	DATE



RECOMMENDED LAND PATTERN DIMENSION OF PCB



- NOTES 1 SMT LEAD-COPLANARITY: 0.1 MAX.
- 2 THIS PRODUCT HAS NO POLARITY TO PATTERN FOR MOUNTING.
- 3 MAKE SURE WIDTH OF PATTERN IS WITHIN THAT OF LAND, OR LEAD MAY TOUCH PATTERN. (THIS APPLIES TO HATCHED AREA.)
- 4 TO BE EMBOSSED CARRIER TAPED AS SPECIFIED IN SHEET 2.

2	PHOSPHOR BRONZE	CONTACT AREA: GOLD (0.1µm) OVER NICKEL
1	LCP	LEAD: GOLD FLASH OVER NICKEL
NO.	MATERIAL	FINISH, REMARKS
		BEIGE UL94V-0

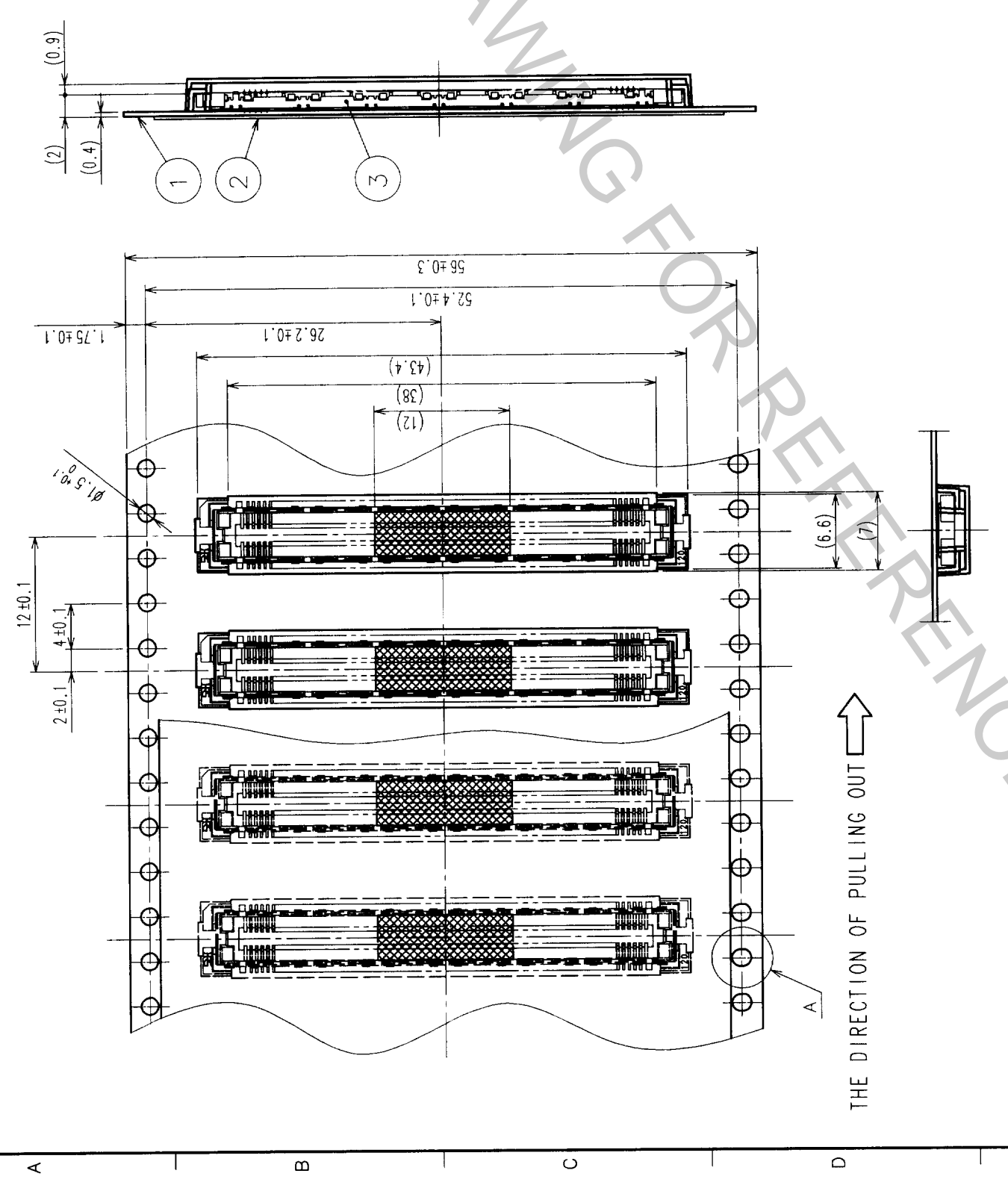
3	PHOSPHOR BRONZE	TIN PLATED
NO.	MATERIAL	FINISH, REMARKS

	DRAWN	DESIGNED	CHECKED	APPROVED	RELEASED
	<i>M. Sakakura</i>	<i>M. Sakakura</i>	<i>M. Sakakura</i>	<i>F. Yoshimura</i>	
	DATE	DATE	DATE	DATE	DATE
	99.10.29	99.10.29	99.10.28	99.10.28	

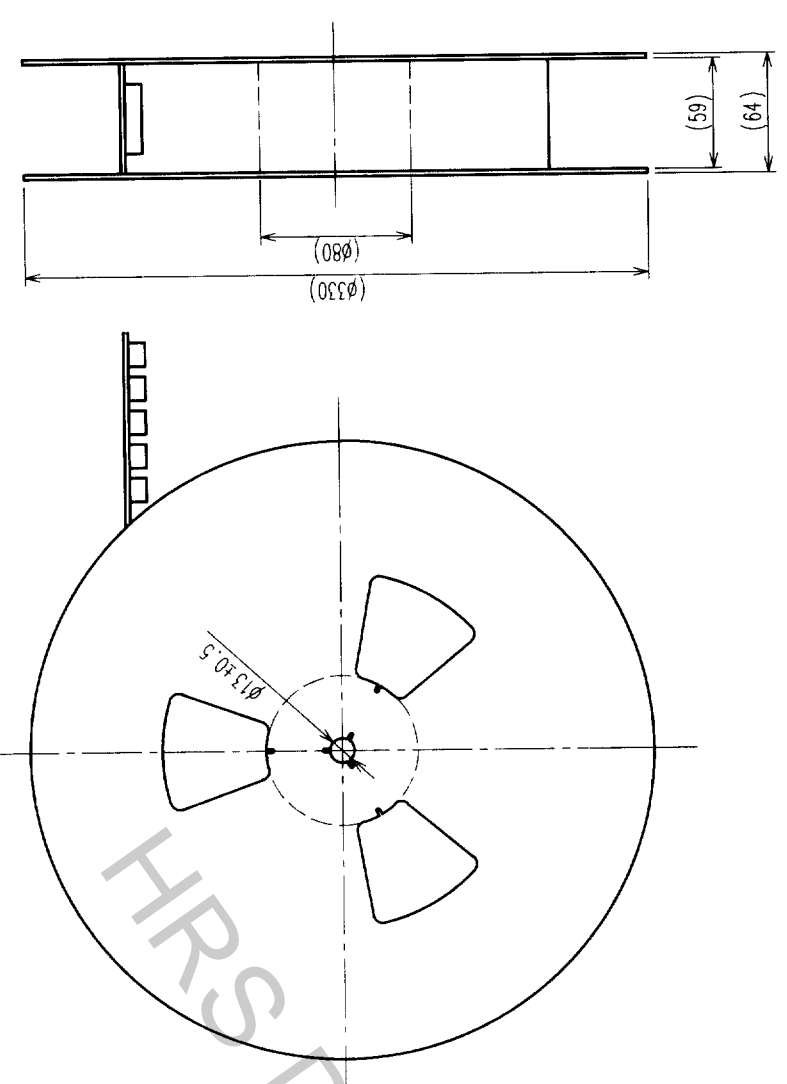
	PART NO.	FX11LB-140S-SV (22)
	DRAWING NO.	EDC3-152123-02
	SCALE	5 : 1
	UNITS	mm
	CODE NO.	CL573-0155-8-22

TO	
PCK	

COUNT	DESCRIPTION OF REVISIONS	BY	CHKD	DATE	COUNT	DESCRIPTION OF REVISIONS	BY	CHKD	DATE
△					△				
△					△				
△					△				



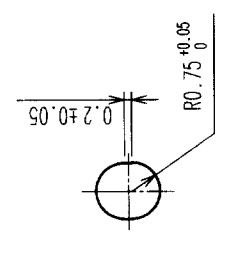
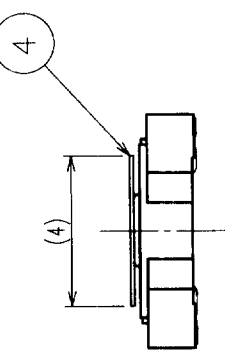
REELED DIMENSION (Free)



- NOTES
- 1 REEL: 1000 CONNECTORS.
 - 2 MINIMUM 10 COMPARTMENTS FROM BOTH REEL ENDS REMAIN EMPTY.
 - 3 THIS PRODUCT HAS NO POLARITY TO TAPE AND REEL PACKAGING.

DETAIL FOR TAPE PICKUP (5:1)

A (5:1)



2	PET	TOP COVER TAPE	4	POLYIMIDE	(TAP FOR VACUUM PICKUP)
1	PS	EMBOSSED CARRIER TAPE	3	(CONNECTOR)	
NO.	MATERIAL	FINISH, REMARKS	NO.	MATERIAL	FINISH, REMARKS
CL					
DRAWING NO. EDC3-152123-02		DRAWN		DESIGNED	CHECKED
SCALE 2:1		MATERIAL		APPROVED	RELEASED
UNITS ITM		FINISH, REMARKS			
DRAWING NO. EDC3-152123-02		PART NO. FX11LB-140S-SV(22)			
SCALE 2:1		CODE NO. CL573-0155-8-22			
UNITS ITM		HRS HIROSE ELECTRIC CO., LTD			

TO	
PCK	