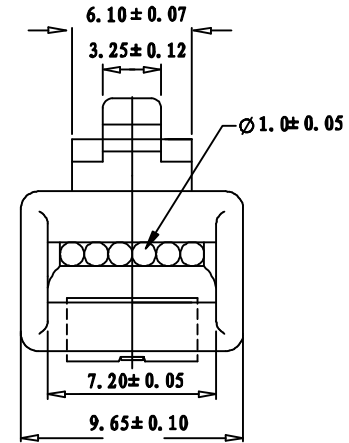
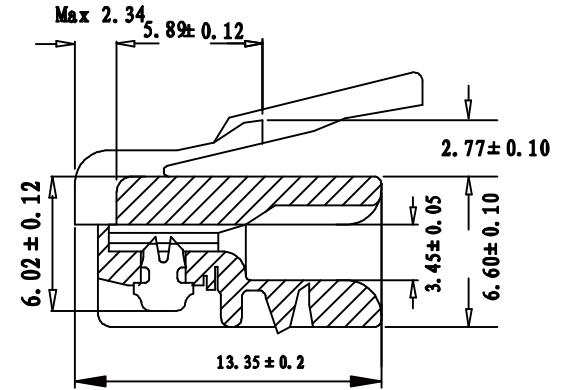
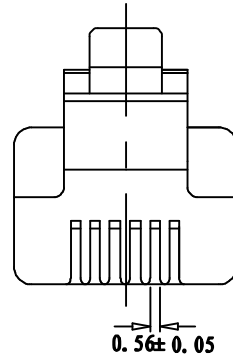


MP6P6C



### SPECIFICATIONS

HOUSING	POLY CARBONATE (PC) UL94V2 NO. E919153
CONTACT BLADE	HIGH STRENGTH COPPER ALLOY
MATERIAL	100 MICRON NICKEL UNDERPLATED
PLATING TYPE	8% PHOSPHOR BRONZE
PLATING THICKNESS:	GOLD PLATED FU*
OPERATING TEMP	-40° C TO 125° C
CURRENT RATING	250V AC MAX AT 2A
DIELECTRIC	500V AC
INSULATION RES	500MGAOHMS
COMPLIES WITH FCC68/F	

"RoHS Compliance"

REVISE	VERSION	LT#	CONTENTS
12-02-23	A/0	T0222B	NEW DRAWING

CnC Tech, LLC Industrial Cable and Connector Technology		
REV.NO:	ISSUE (A/0)	CUSTOMER:L-671
DRAWING NO:	671-362-FU-001	PART NO: 5010-FU0066-001
ITEM NO:	MP6P6C PLUG(F)	
UNIT:MM	DRAWN:	ENGINEER:
DATE:12-02-23	QA:	SALES DEPT:
		SALES MANAGER: