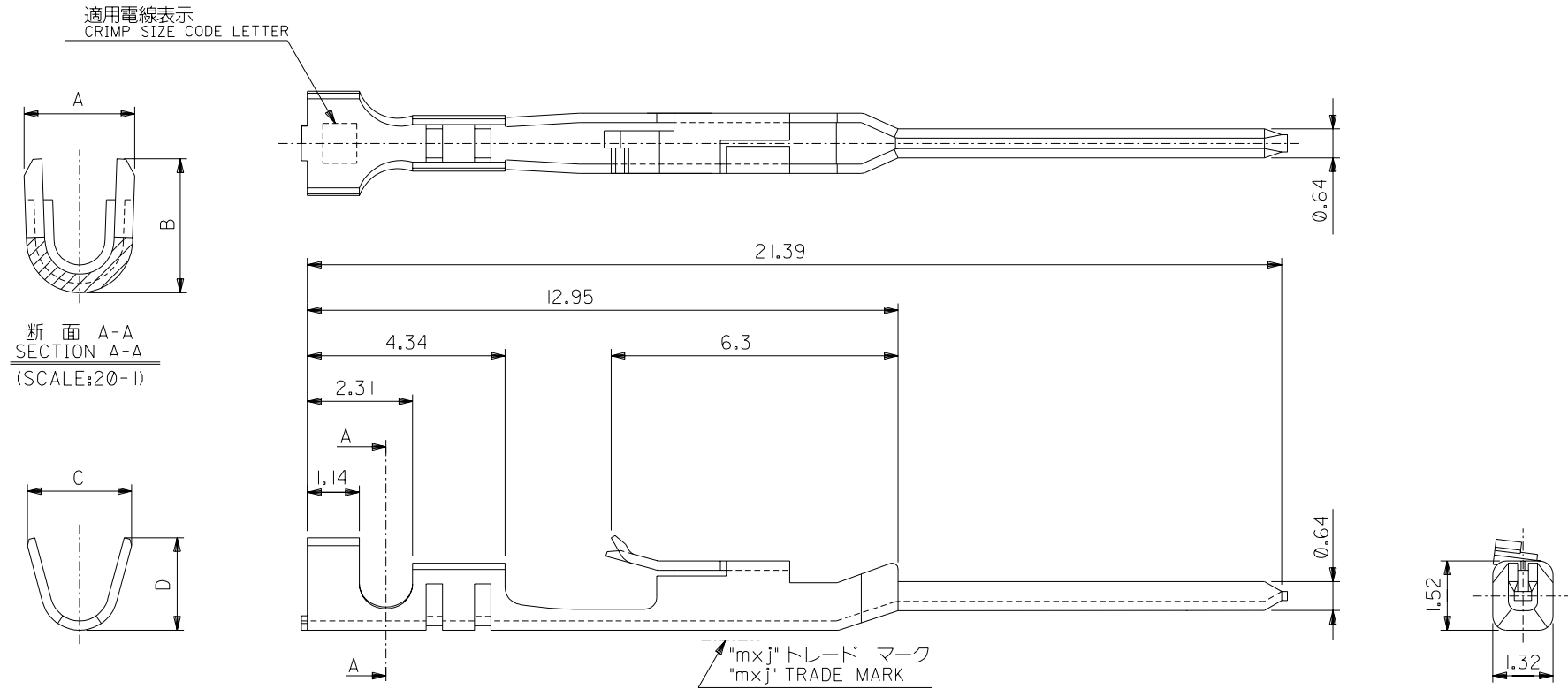


DIMENSIONS IN METRIC DO NOT SCALE DRAWING

ENG. NO. 0*04
SD-70021-0*21

EDP NO. #

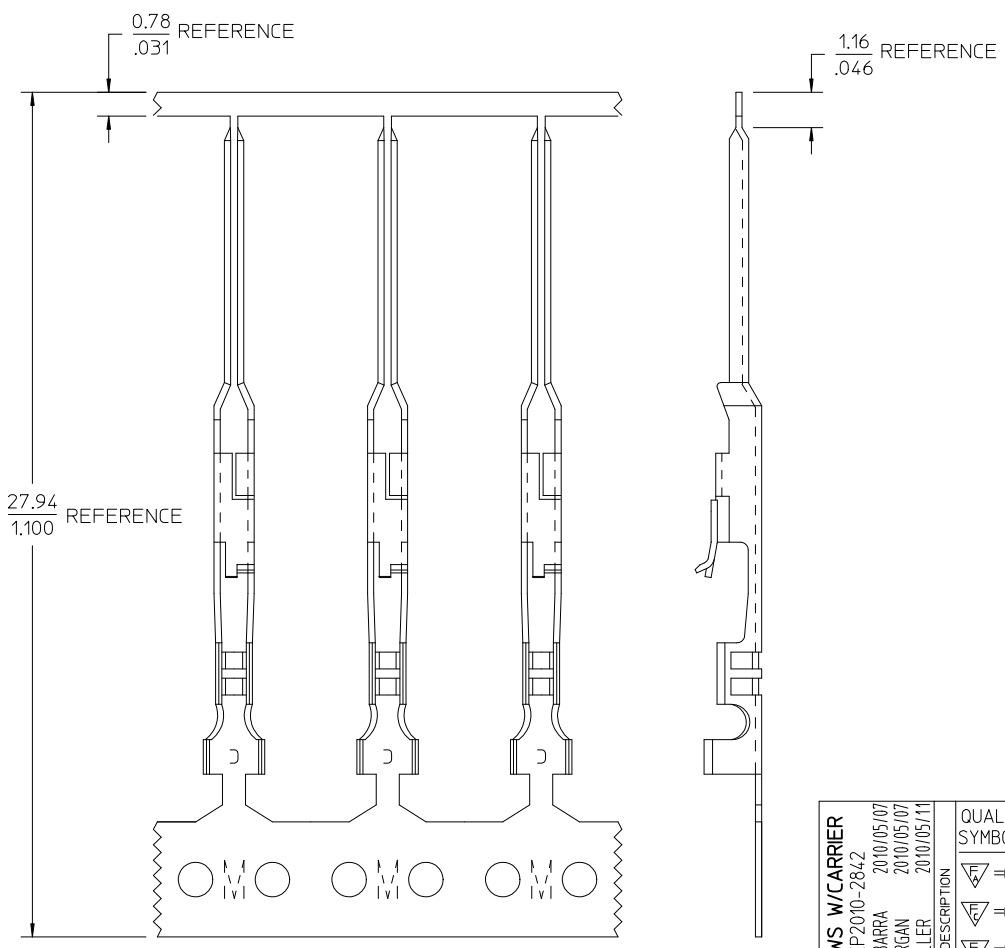
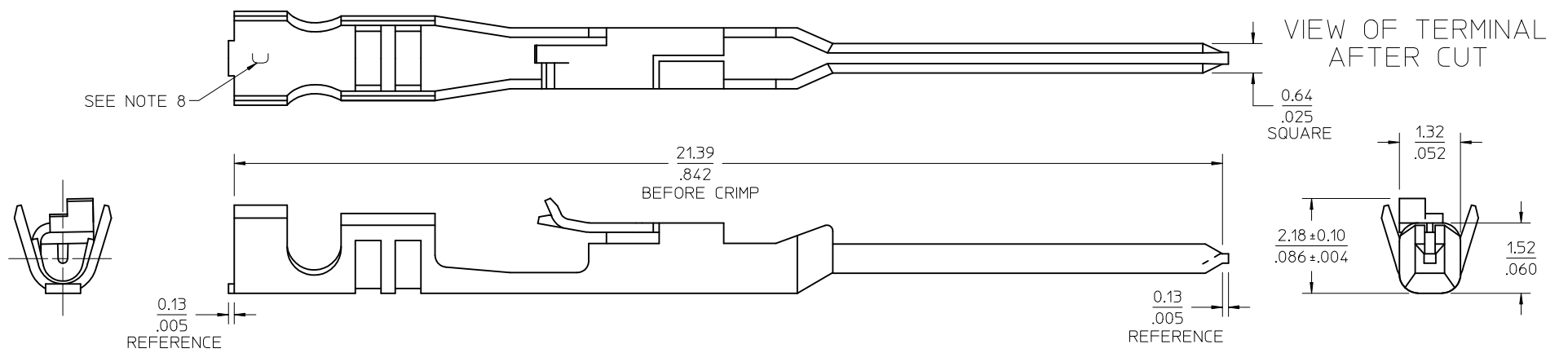


注記:
NOTES:

- 適合ハウジング: 70066-****, 70107-****
APPLICABLE HOUSING: 70066-****, 70107-****
- 仕上げ ニッケル下地、錫メッキ
FINISH TIN OVER NICKEL PLATING

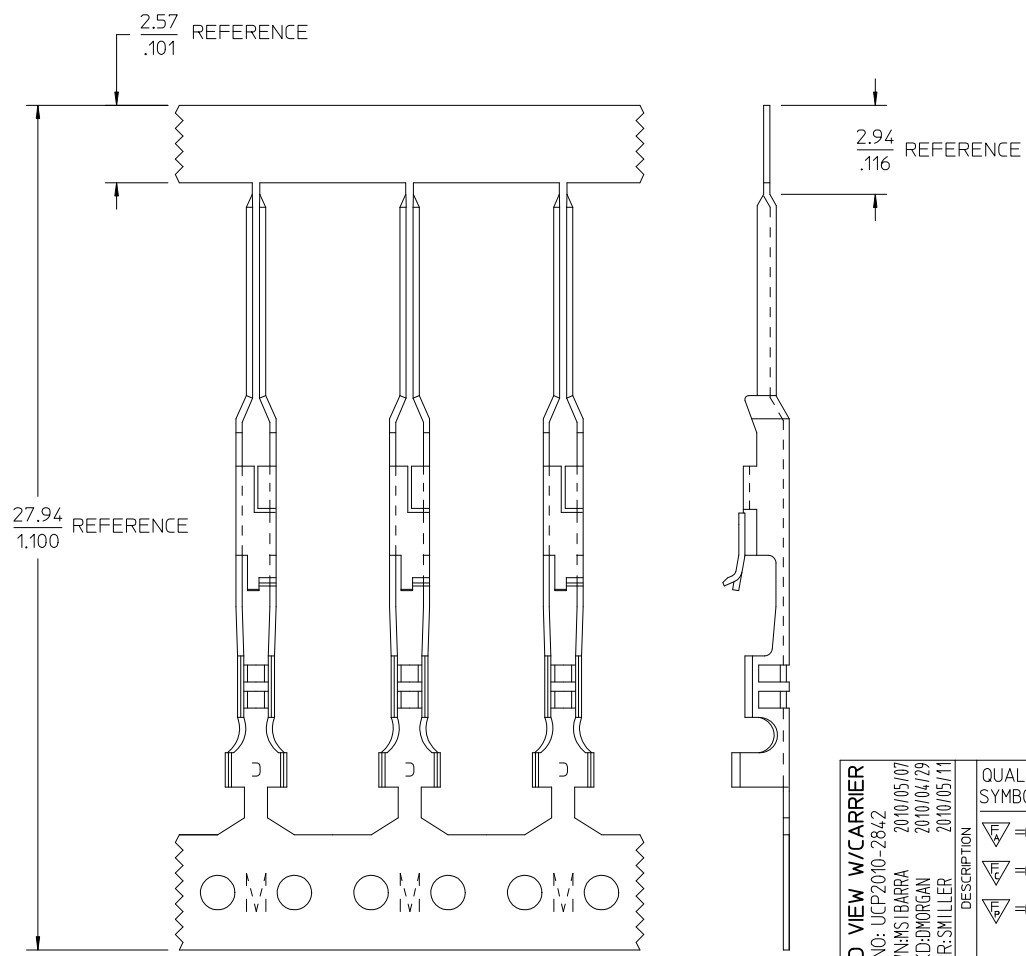
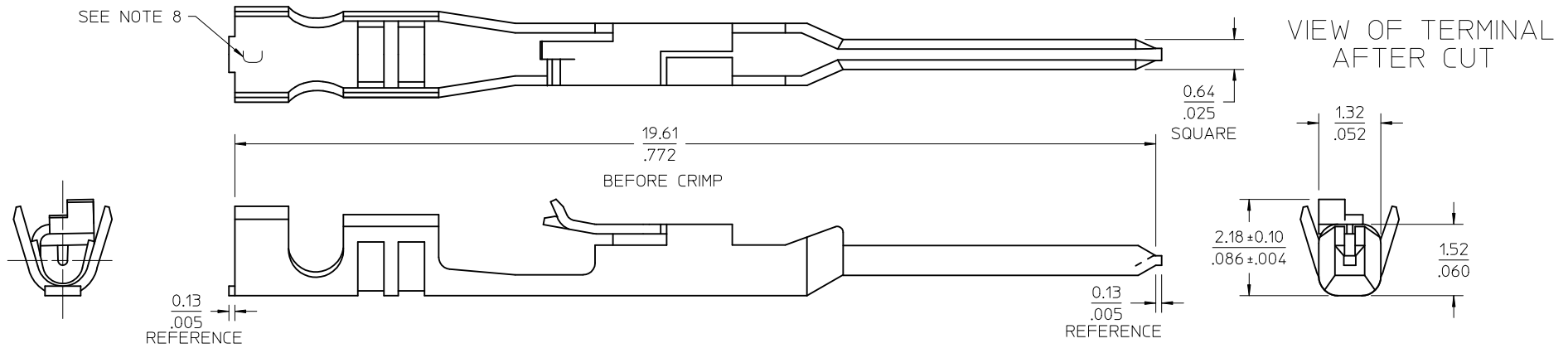
1.91	2.1	1.47	1.22	A	適用電線表示 CRIMP SIZE CODE LETTER	被覆外径 INS. RANGE	適用電線範囲 WIRE RANGE	バラ状 LOOSE	70021-0204
1.91	2.1	1.65	1.84	C				AWG#24-#30	連鎖状 CHAIN
D	C	B	A					バラ状 LOOSE	70021-0221
								連鎖状 CHAIN	70021-0021
				材料 MATERIAL	材料 PHOSPHOR BRONZE t 0.203			端子形状 FORM	MATERIAL No.
				仕上げ FINISH	注記参照 SEE NOTES				
				適用電線範囲 WIRE RANGE	表参照 SEE CHART			EDP. NO.	#
				被覆外径 INS. RANGE	表参照 SEE CHART			ENG. NO.	SD-70021-0*04 0*21
				記号 LTR	変更内容 REVISION RECORD	DR. CHK.	日付 DATE	DRAWN BY A. Mitake	CHK'D BY M. Kuro
				角度 ANGLE	±3°	B	変更 REVISED (J2004-4519)		
				30以上 OVER	+0.3	A	変更 REVISED (T20159)		
				10以上 OVER	+0.25	0	新規作成 RELEASED (T00110)		
				10未満 UNDER	+0.2				
				一般公差 GENERAL TOLERANCES	REVISE ONLY ON CAD SYSTEM				

THIS DRAWING CONTAINS INFORMATION THAT IS PROPRIETARY TO MOLEX(JAPAN) AND SHOULD NOT BE USED WITHOUT WRITTEN PERMISSION
本図面は日本モレックス(株)の所有する情報を含むもので 当社の許可なく複製を禁止する。



- NOTES:
1. MATERIAL: PHOSPHOR BRONZE, 0.20/.008 THICK
 2. FINISH: 3.81 MICROMETERS/150 MICROINCHES TIN OVER NICKEL UNDERPLATE OVERALL
 3. PRODUCT SPECIFICATION: PS-70021
 4. PACKAGING: PARTS SUPPLIED IN REEL FORM
 5. TERMINAL FOR USE WITH: 70066-**** & 70107-**** HOUSINGS
 6. TERMINAL TO BE USED WITH: 22-24 AWG STRANDED WIRE WITH .064 DIAMETER MAXIMUM INSULATION
 7. REFER TO MOLEX OPERATIONAL AND SERVICE MANUAL FOR DETAILS
 8. CRIMP SIZE INDICATOR: C=22-24 AWG

ADD VIEWS W/CARRIER EC NO: UCP2010-2842 DRW:MSIBARRA 2010/05/07 CHKD:MORGAN 2010/05/07 APPR:SMILLER 2010/05/11	QUALITY SYMBOLS ▽=0 ▽=0 ▽=0	GENERAL TOLERANCES (UNLESS SPECIFIED)		DIMENSION STYLE IN/MM		SCALE	DESIGN UNITS INCH	THIRD ANGLE PROJECTION		
		mm	INCH	DRAWN BY MSIBARRA	DATE 2010/05/07	TITLE TERMINAL, MALE CRIMP				
		4 PLACES ± ---	± ---	CHECKED BY MJM	DATE 1986/10/30	MATERIAL NO. 16-02-0107				
		3 PLACES ± ---	± .005	APPROVED BY SMILLER	DATE 2010/05/11	DOCUMENT NO. SD-70021-0021				
2 PLACES ± .13	± .01	MATERIAL NO. 16-02-0107		SIZE C		SHEET NO. 1 OF 1				
1 PLACE ± 0.25	± ---	DRAFT WHERE APPLICABLE MUST REMAIN WITHIN DIMENSIONS								
ANGULAR ±1/2°		THIS DRAWING CONTAINS INFORMATION THAT IS PROPRIETARY TO MOLEX INCORPORATED AND SHOULD NOT BE USED WITHOUT WRITTEN PERMISSION								



- NOTES:
1. MATERIAL: PHOSPHOR BRONZE, 0.20/008 THICK
 2. FINISH: 3.81 MICROMETERS/150 MICROINCHES TIN OVER NICKEL UNDERPLATE OVERALL
 3. PRODUCT SPECIFICATION: PS-70021
 4. PACKAGING: PARTS SUPPLIED IN REEL FORM
 5. TERMINAL FOR USE WITH: 70066-**** & 70107-**** HOUSINGS
 6. TERMINAL TO BE USED WITH: 22-24 AWG STRANDED WIRE WITH .064 DIAMETER MAXIMUM INSULATION
 7. REFER TO MOLEX OPERATIONAL AND SERVICE MANUAL FOR DETAILS
 8. CRIMP SIZE INDICATOR: C=22-24 AWG

ADD VIEW W/CARRIER EC NO: UCP2010-2842 DRW:MSI.BARRA 2010/05/07 CHKD:DMORGAN 2010/04/29 APPR:SMILLER 2010/05/11	QUALITY SYMBOLS 	GENERAL TOLERANCES (UNLESS SPECIFIED)		DIMENSION STYLE MM/IN		SCALE 15:1	DESIGN UNITS INCH	THIRD ANGLE PROJECTION	
		4 PLACES ± --- ± ---	DRAWN BY MSI.BARRA	DATE 2010/04/29	TITLE TERMINAL, MALE CRIMP				
		3 PLACES ± --- ± .010	CHECKED BY DMORGAN	DATE 2010/04/29	MOLEX MOLEX INCORPORATED				
		2 PLACES ± 0.25 ± .015 1 PLACE ± 0.35 ± --- ANGULAR ± 1/2°	APPROVED BY SMILLER	DATE 2010/05/11	MATERIAL NO. 70021-1021	DOCUMENT NO. SD-70021-1021			
DRAFT WHERE APPLICABLE MUST REMAIN WITHIN DIMENSIONS		SIZE C	THIS DRAWING CONTAINS INFORMATION THAT IS PROPRIETARY TO MOLEX INCORPORATED AND SHOULD NOT BE USED WITHOUT WRITTEN PERMISSION						