

THIS DRAWING IS UNPUBLISHED.

RELEASED FOR PUBLICATION

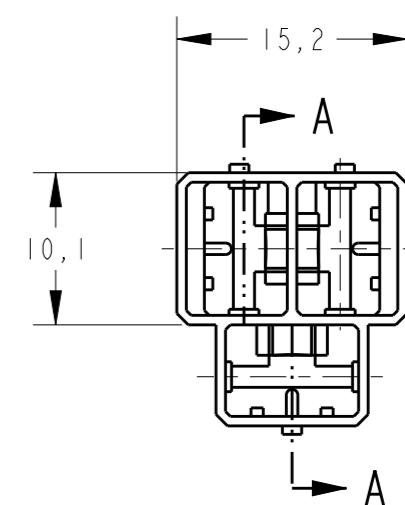
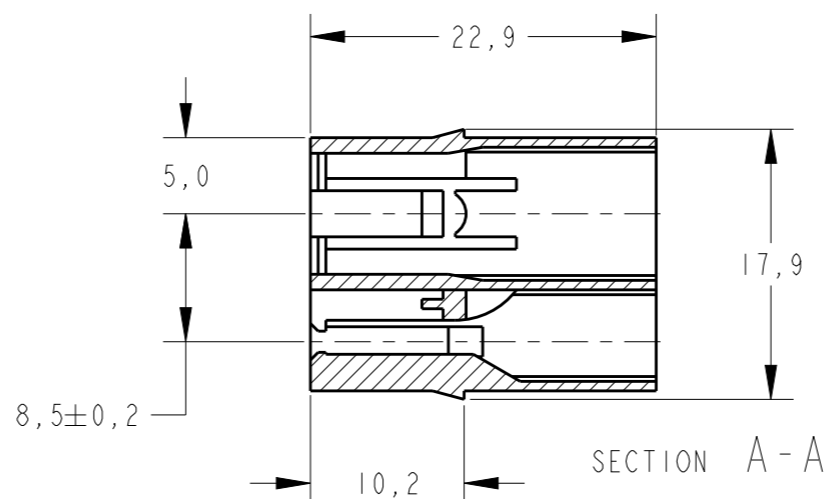
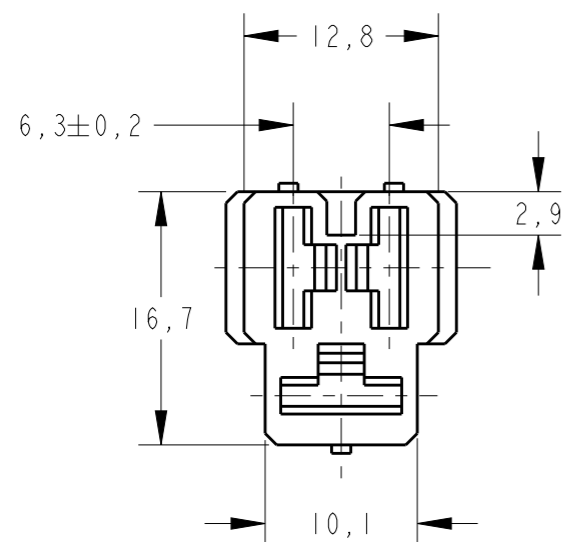
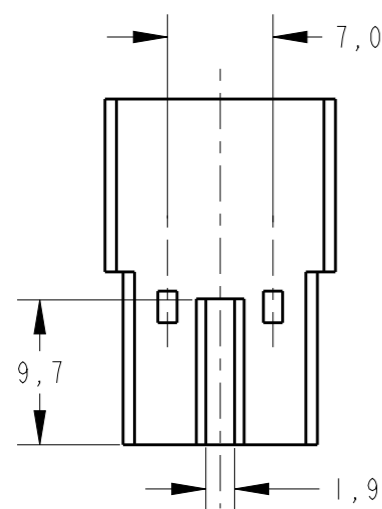
20

© COPYRIGHT 20 BY -

ALL RIGHTS RESERVED.

REVISIONS

P	LTR	DESCRIPTION	DATE	DWN	APVD
	A3	REDRAWN AND REVISED ECO 16-007059	23MAY2016	HC	WLS



I-INTERCHANGEABLE WITH PN-180941

<del>OBSOLETE</del>	<del>ORANGE</del>	<del>POLYAMIDA 6.6</del>	<del>880573-9</del>
<del>OBSOLETE</del>	<del>VIOLET</del>	<del>POLYAMIDA 6.6</del>	<del>880573-8</del>
<del>OBSOLETE</del>	<del>GRAY</del>	<del>POLYAMIDA 6.6</del>	<del>880573-7</del>
<del>OBSOLETE</del>	<del>BROWN</del>	<del>POLYAMIDA 6.6</del>	<del>880573-6</del>
<del>OBSOLETE</del>	<del>BLACK</del>	<del>POLYAMIDA 6.6</del>	<del>880573-5</del>
<del>OBSOLETE</del>	<del>YELLOW</del>	<del>POLYAMIDA 6.6</del>	<del>880573-4</del>
<del>OBSOLETE</del>	<del>BLUE</del>	<del>POLYAMIDA 6.6</del>	<del>880573-3</del>
<del>OBSOLETE</del>	<del>GREEN</del>	<del>POLYAMIDA 6.6</del>	<del>880573-2</del>
<del>OBSOLETE</del>	<del>RED</del>	<del>POLYAMIDA 6.6</del>	<del>880753-1</del>
	NATURAL	POLYAMIDA 6.6	880573-0
	FINISH	MATERIAL	PART NUMBER

THIS DRAWING IS A CONTROLLED DOCUMENT.

DWN H.C.CANTER 17MAY2016

CHK W.L.STEFANI 18MAY2016

APVD -

NAME 3 WAY T FAST-IN-ON REC. HOUSING

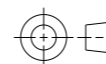
SIZE CAGE CODE DRAWING NO RESTRICTED TO

A3 - C-880573 -

CUSTOMER DRAWING SCALE 2:1 SHEET 1 OF 1 REV A3

DIMENSIONS:

mm



TOLERANCES UNLESS OTHERWISE SPECIFIED:

- 0 PLC ±-
- 1 PLC ±0,4
- 2 PLC ±-
- 3 PLC ±-
- 4 PLC ±-
- ANGLES ±1°

MATERIAL

FINISH

