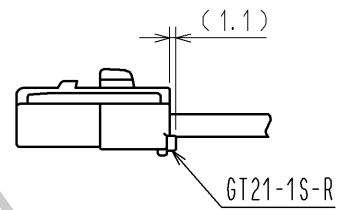
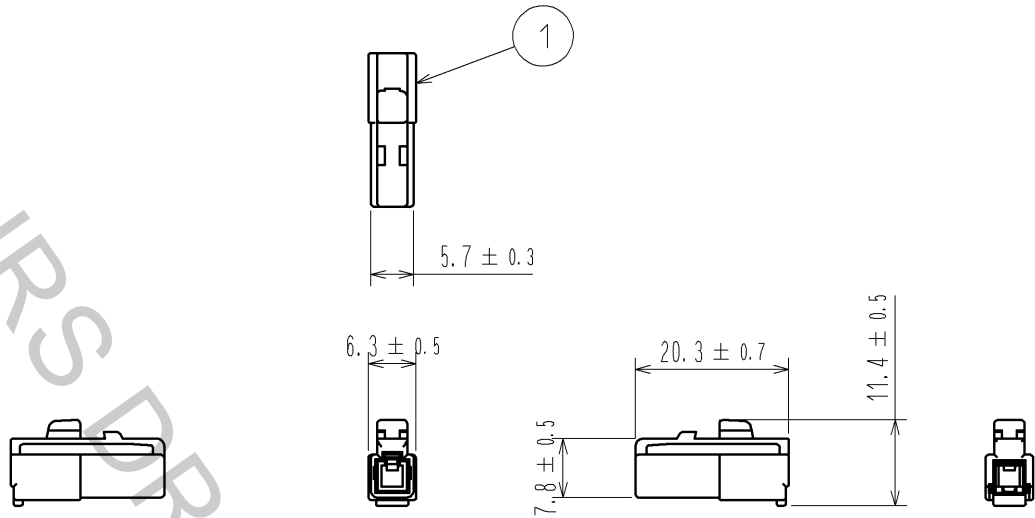


ELV. RoHS COMPLIANT



1	PBT	UL94HB, LIGHT GRAY						
NO.	MATERIAL	FINISH .	REMARKS	NO.	MATERIAL	FINISH .	REMARKS	
UNITS mm		SCALE 1 : 1	COUNT 	DESCRIPTION OF REVISIONS		DESIGNED	CHECKED	DATE
<b>HRS</b> HIROSE ELECTRIC CO., LTD.	APPROVED	: AR. SHIRAI	10. 02. 12	DRAWING NO.	EDC4-167459-00			
	CHECKED	: NH. NAKATA	10. 02. 09	PART NO.	GT21-1S-HU			
	DESIGNED	: MO. OKADA	10. 02. 09	CODE NO.	CL771-0005-9-00			
	DRAWN	: MO. OKADA	10. 02. 09					

DRAWING FOR REFERENCE