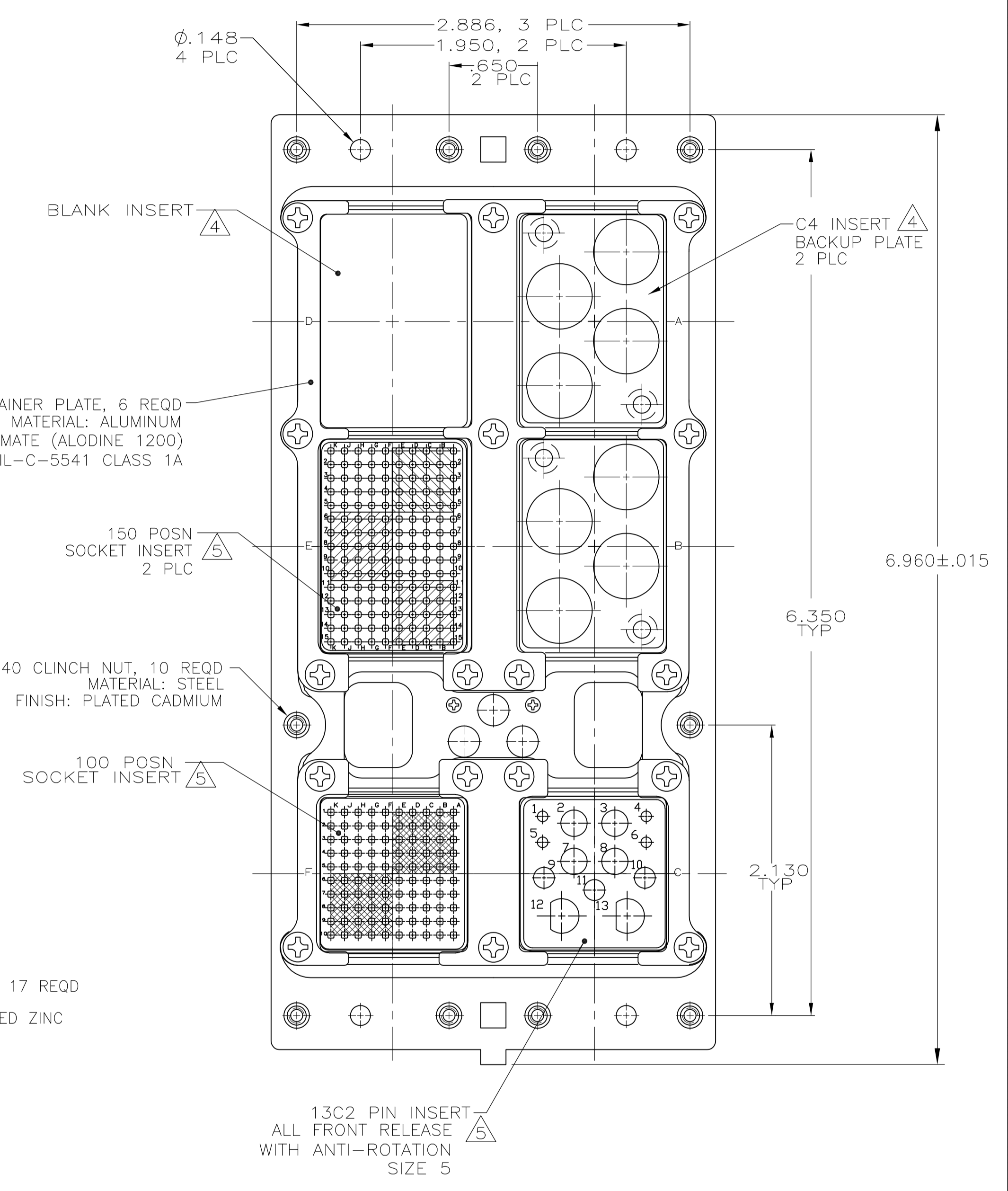
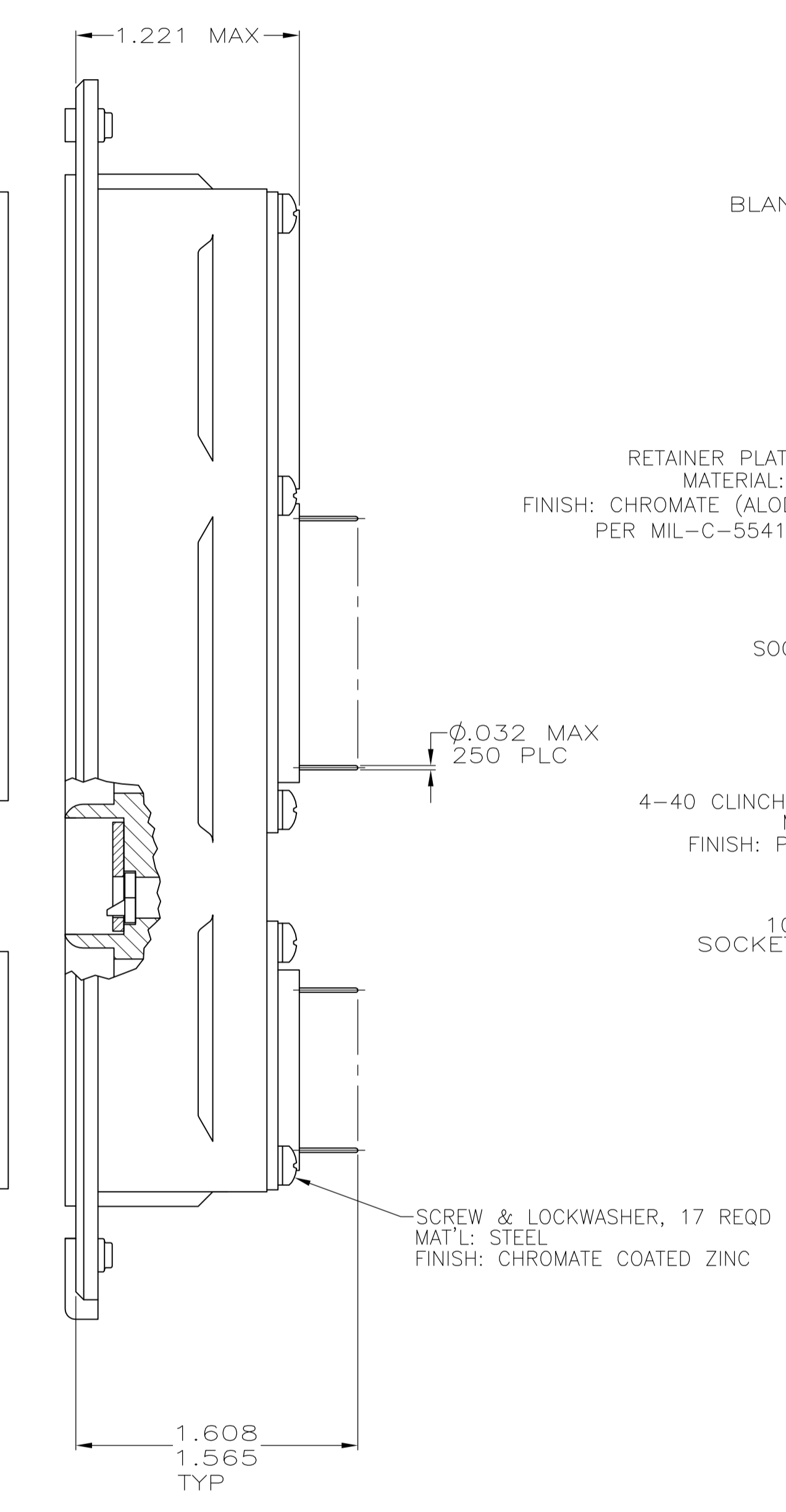
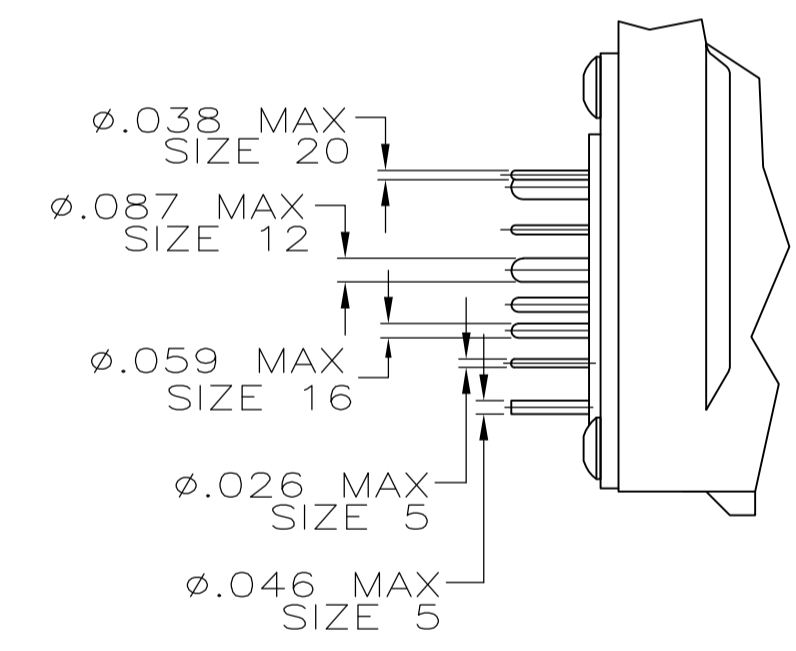
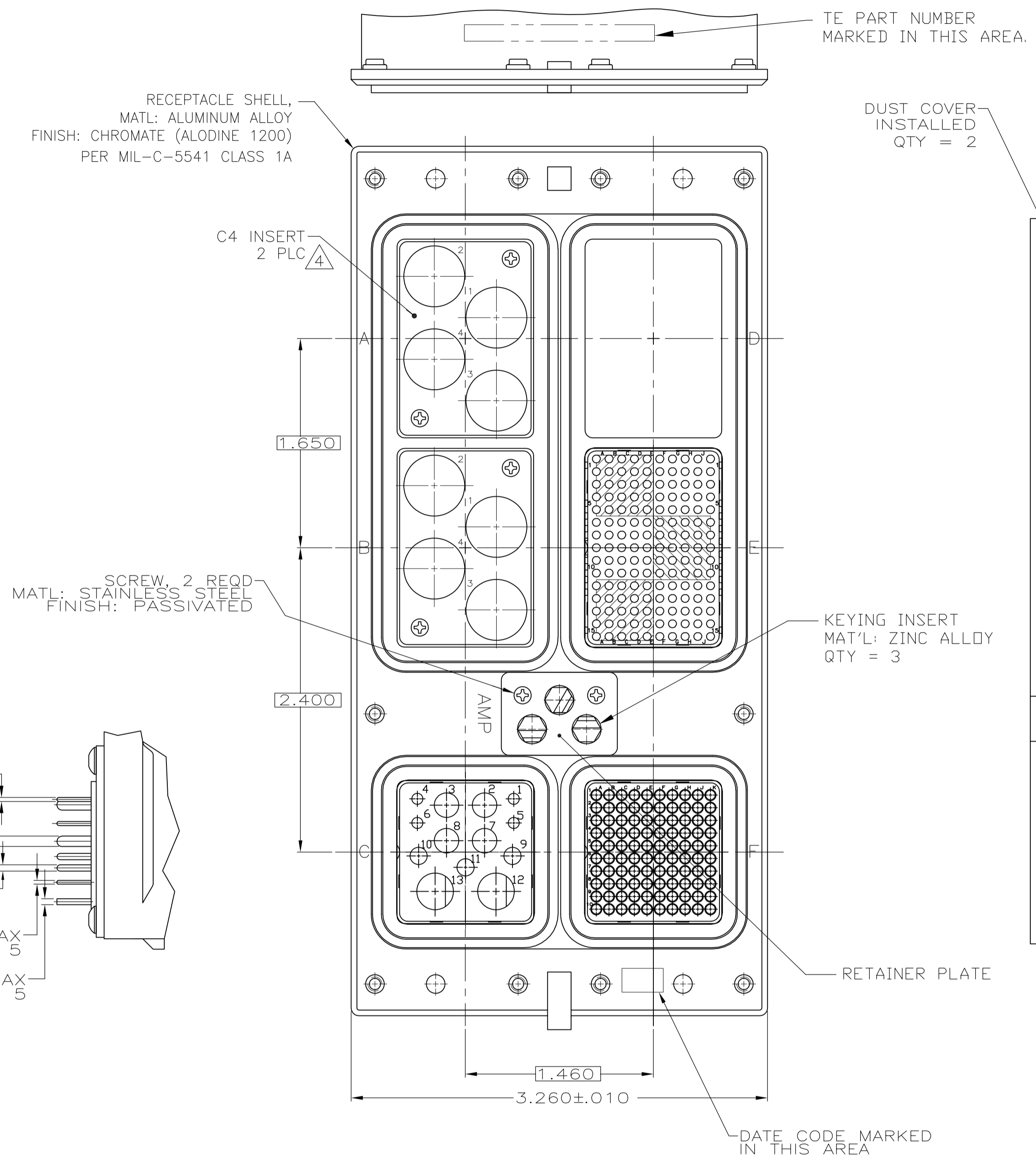


LOC		DIST		REVISIONS			
P	LTR	DESCRIPTION	DATE	DN	APVD		
L		REV PER ECO 11-016326	8-10-11	CT	KH		



- CONNECTOR DIMENSIONS ARE PER ARINC 600 SPECIFICATION
- FOLLOWING CONTACTS ARE INCLUDED AND LOADED:
 SIZE 22 SOCKET: TE P/N 1-211431-4; QTY=250 (-1 ONLY)
 SIZE 22 SOCKET: NON-REMOVABLE STAMPED & FORMED; QTY=250 (-4 ONLY)
 SIZE 20 PIN CONTACT: TE P/N 2-448138-7; QTY=4
 SIZE 16 PIN: TE P/N 2-448139-2; QTY: 3
 SIZE 12 PIN: TE P/N 1-148140-9; QTY: 4
 SIZE 5 COAX: TE P/N 1484201-4; QTY=2
 ALL SOLDER POSTS ARE SOLDER DIPPED.
- POLARIZING KEYS ARE INSTALLED IN POSITION 40.
- INSERT MATERIAL: DIE CAST ALUMINUM PER ASTM-B-85.
 INSERT FINISH: CLASS 1A CHROMATE PER MIL-STD-5541
- INSERT MATERIAL: THERMOPLASTIC OR THERMOSET EPOXY.
- SIZE 1 COAX CONTACTS NOT INCLUDED, MUST BE ORDERED SEPARATELY
- THE C4 INSERT BACKUP PLATES AND SCREWS ARE ASSEMBLED TO CONNECTOR

MODULE E & F: MONDBLOCK INSERTS WITH NON-REMOVABLE STAMPED & FORMED SIZE 22 SOCKET CONTACTS	1484510-4
MODULE E & F: FRONT RELEASE INSERTS WITH STANDARD SIZE 22 SOCKET CONTACTS	1484510-1
REMARKS	PART NUMBER

THIS DRAWING IS A CONTROLLED DOCUMENT.

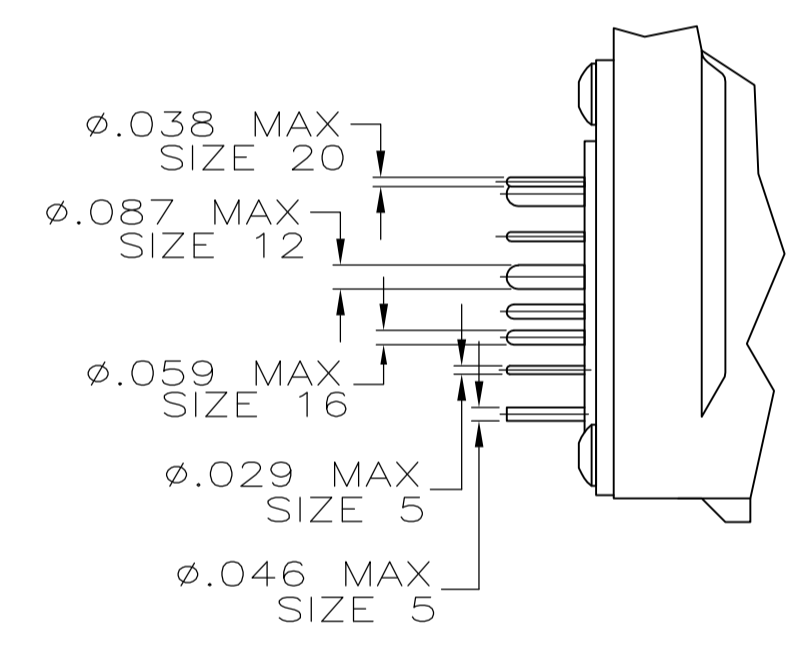
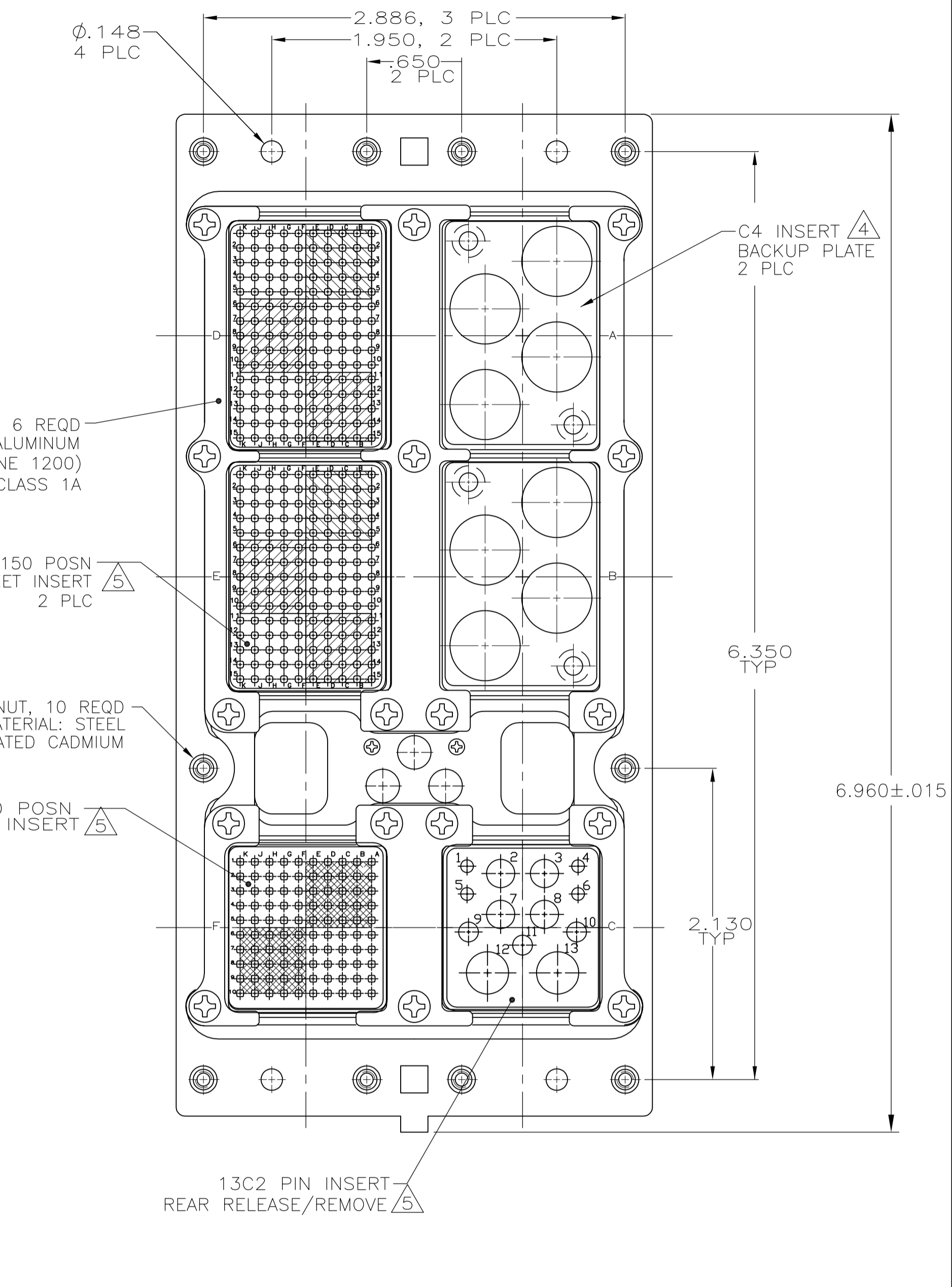
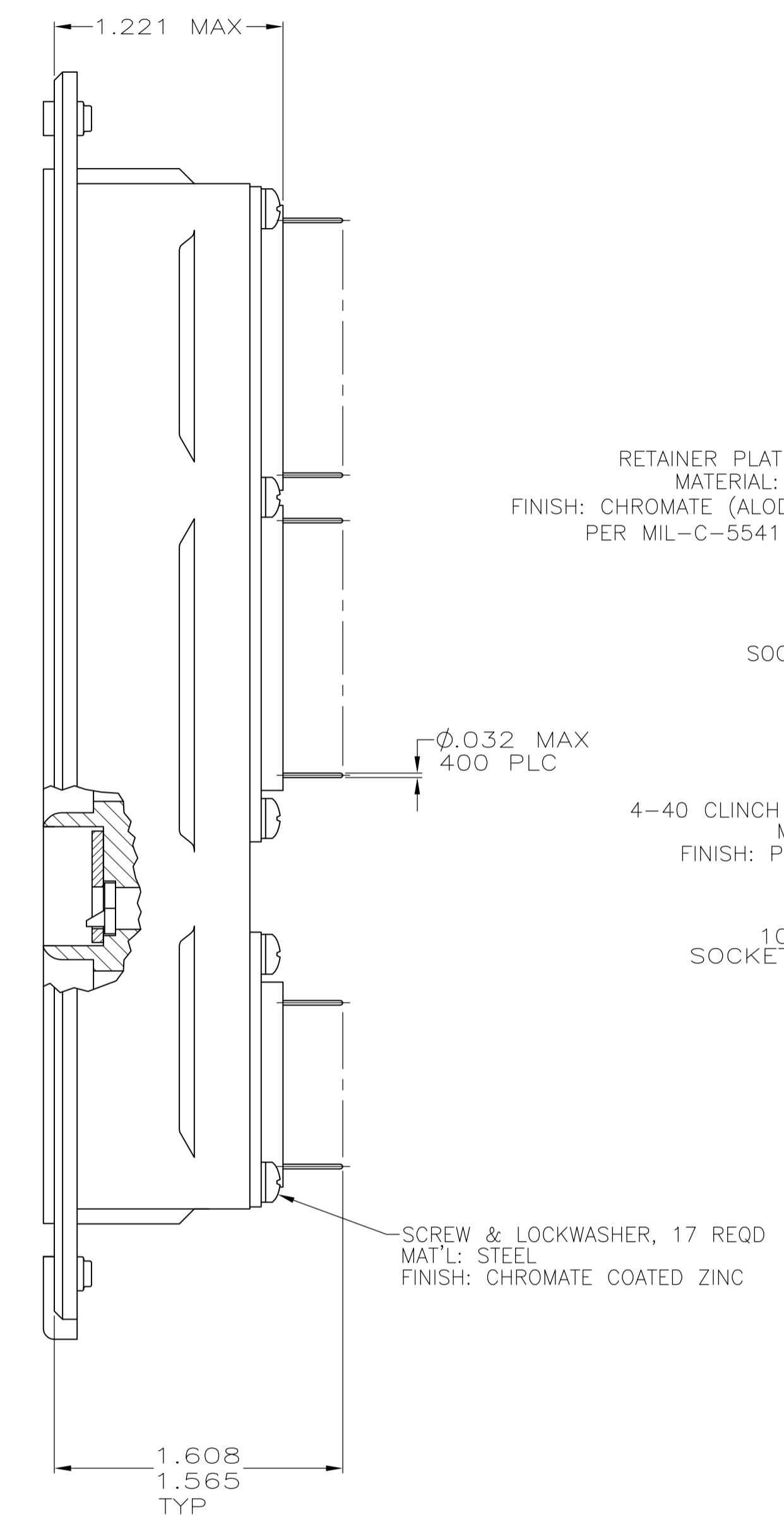
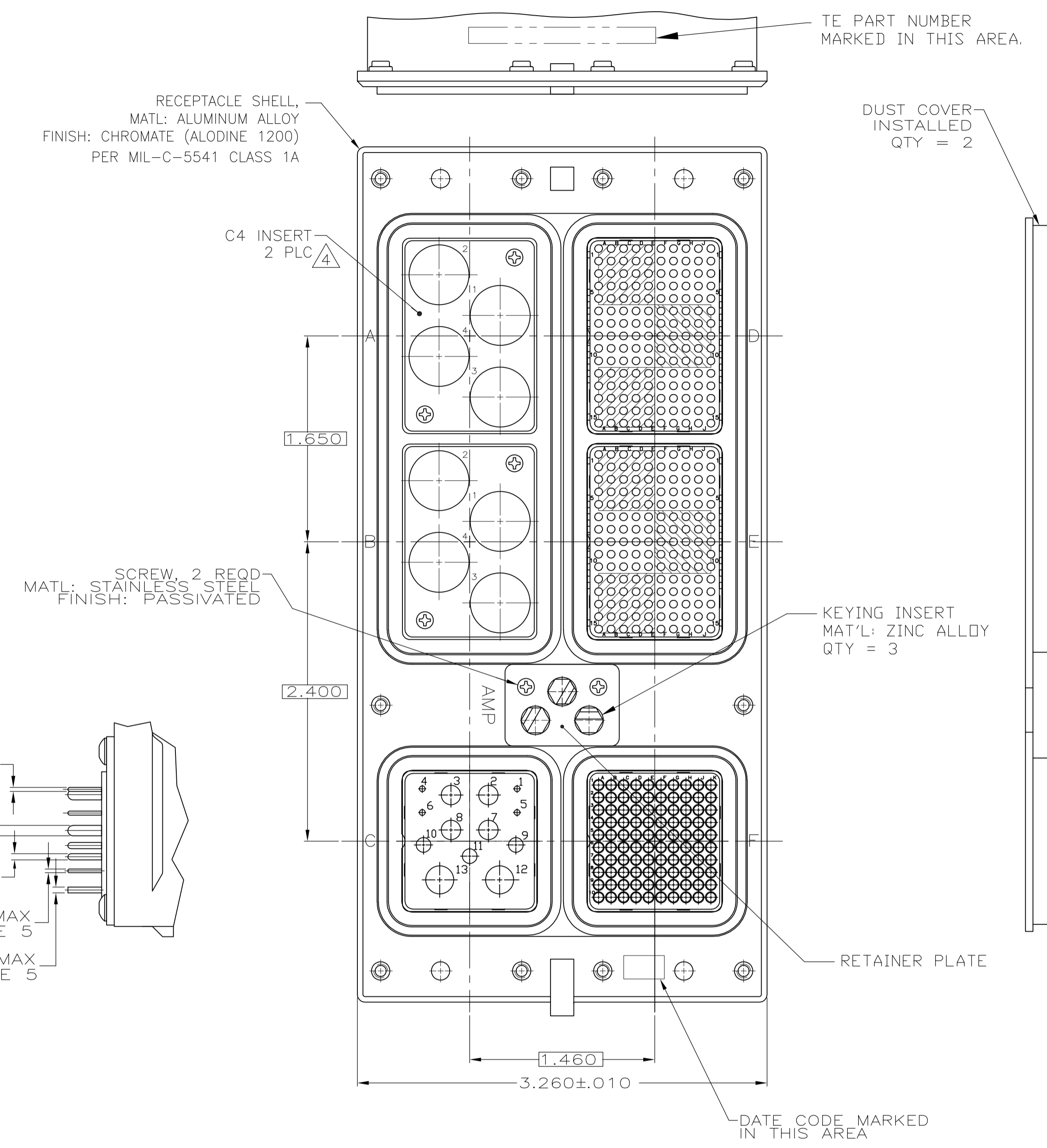
DIMENSIONS: INCHES
 TOLERANCES UNLESS OTHERWISE SPECIFIED:
 0 PLC ± -
 1 PLC ± -
 2 PLC ± -
 3 PLC ± .005
 4 PLC ± -
 ANGLES ± -

MATERIAL: SEE CALLOUTS
 FINISH: SEE CALLOUTS

DWG: S. HOFFMAN 10/14/02
 CHK: S. GLATFELTER 10-24-02
 APVD: S. GLATFELTER 10-24-02
 NAME: RECEPTACLE ASSY, SIZE 3, TCAS
 PRODUCT SPEC: APPLICATION SPEC
 SIZE: A1
 CAGE CODE: 00779
 DRAWING NO: 1484510
 WEIGHT: CUSTOMER DRAWING
 SCALE: 3:2
 SHEET: 1 OF 3
 REV: L

STE TE Connectivity

LOC	DIST	REVISIONS			
P	LTR	DESCRIPTION	DATE	DN	APVD
-	-	SEE SHEET #1	-	-	-

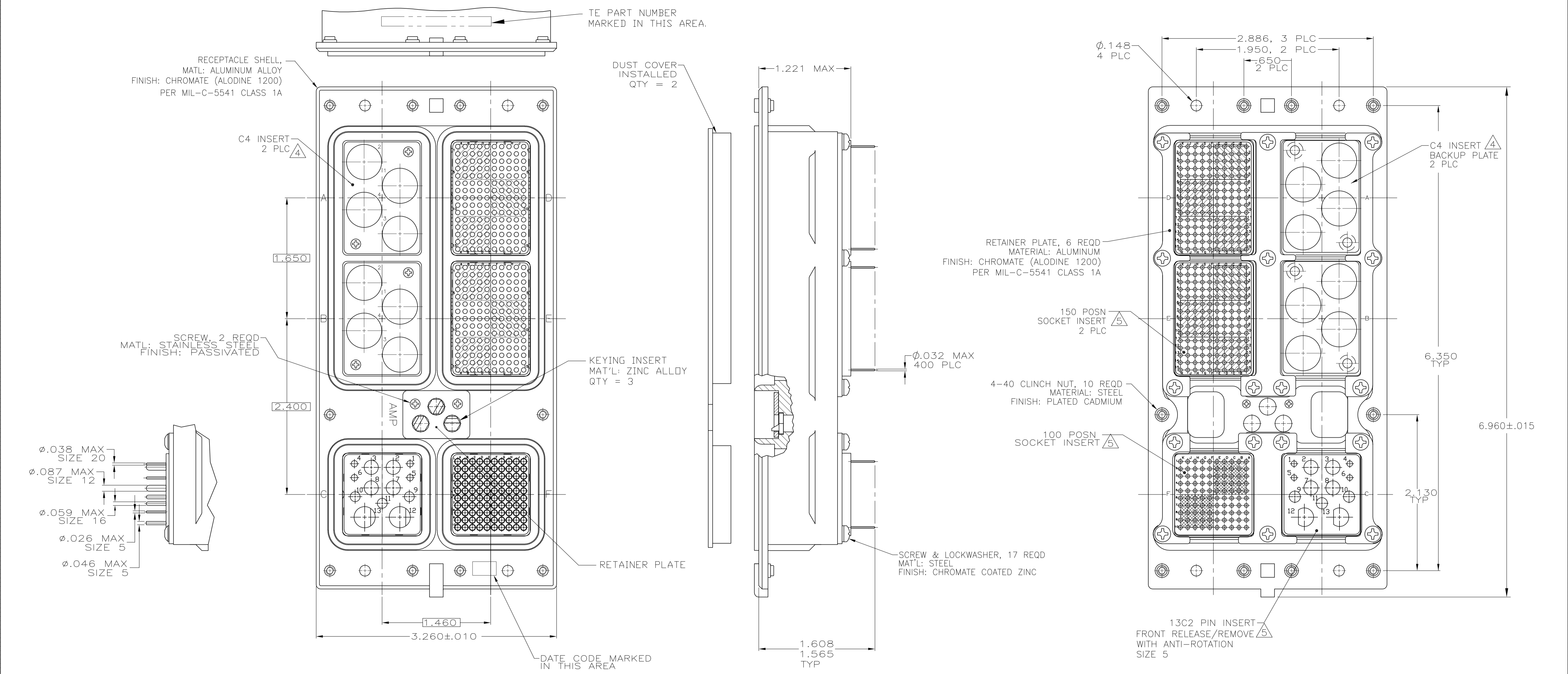


- CONNECTOR DIMENSIONS ARE PER ARINC 600 SPECIFICATION
- FOLLOWING CONTACTS ARE INCLUDED AND LOADED:
 SIZE 22 SOCKET: TE P/N 1-211431-4; QTY=400 (-2 ONLY)
 SIZE 22 SOCKET: NON-REMOVABLE STAMPED & FORMED; QTY=400 (-5 ONLY)
 SIZE 20 PIN CONTACT: TE P/N 1663533-3; QTY=4
 SIZE 16 PIN: TE P/N 1663128-6; QTY: 3
 SIZE 12 PIN: TE P/N 1663129-6; QTY: 4
 SIZE 5 COAX: P/N 1663535-2; QTY=1 (POSTED CONTACT) IN POSN 12
 SIZE 5 COAX: P/N 1663389-1; QTY=1 (SIZE 5 TO SMB ADAPTER) IN POSN 13
 ALL SOLDER POSTS ARE SOLDER DIPPED.
- POLARIZING KEYS ARE INSTALLED IN POSITION 52.
- INSERT MATERIAL: DIE CAST ALUMINUM PER ASTM-B-85.
 INSERT FINISH: CLASS 1A CHROMATE PER MIL-STD-5541
- INSERT MATERIAL: THERMOPLASTIC OR THERMOSET EPOXY.
- SIZE 1 COAX CONTACTS NOT INCLUDED, MUST BE ORDERED SEPARATELY
- THE C4 INSERT BACKUP PLATES AND SCREWS ARE ASSEMBLED TO CONNECTOR

MODULE D, E & F: MONOBLOCK INSERTS WITH NON-REMOVABLE STAMPED & FORMED SIZE 22 SOCKET CONTACTS	1484510-5
MODULE D, E & F: FRONT RELEASE INSERTS WITH STANDARD SIZE 22 SOCKET CONTACTS	1484510-2
REMARKS	PART NUMBER

THIS DRAWING IS A CONTROLLED DOCUMENT.		DN: S. HOFFMAN 10/14/02	STE TE Connectivity	
DIMENSIONS: INCHES		CHK: S. GLATFELTER 10-24-02	NAME: RECEPTACLE ASSY, SIZE 3, TCAS	
TOLERANCES UNLESS OTHERWISE SPECIFIED:		APVD: S. GLATFELTER 10-24-02	PRODUCT SPEC	
0 PLC ± -		APPLICATION SPEC		
1 PLC ± -		SIZE: A1		
2 PLC ± -		CAGE CODE: 00779		
3 PLC ± .005		DRAWING NO: 1484510		
4 PLC ± -		RESTRICTED TO: -		
ANGLES ± -		WEIGHT: -		
FINISH: SEE CALLOUTS		CUSTOMER DRAWING		
MATERIAL: SEE CALLOUTS		SCALE: 3:2		
		SHEET 2 OF 3		
		REV L		

LOC		DIST		REVISIONS			
P	LTR	DESCRIPTION	DATE	DNW	APVD		
-	-	SEE SHEET #1	-	-	-	-	-



- CONNECTOR DIMENSIONS ARE PER ARINC 600 SPECIFICATION
- FOLLOWING CONTACTS ARE INCLUDED AND LOADED:
 SIZE 22 SOCKET: TE P/N 1-211431-4; QTY=400 (-3 ONLY)
 SIZE 22 SOCKET: NON-REMOVABLE STAMPED & FORMED; QTY=400 (-6 ONLY)
 SIZE 20 PIN CONTACT: TE P/N 1663533-3; QTY=4
 SIZE 16 PIN: TE P/N 1663128-6; QTY: 3
 SIZE 12 PIN: TE P/N 1663129-6; QTY: 4
 SIZE 5 COAX: TE P/N 1484201-4; QTY=2
 ALL SOLDER POSTS ARE SOLDER DIPPED.
- POLARIZING KEYS ARE INSTALLED IN POSITION 52.
- INSERT MATERIAL: DIE CAST ALUMINUM PER ASTM-B-85.
 INSERT FINISH: CLASS 1A CHROMATE PER MIL-STD-5541
- INSERT MATERIAL: THERMOPLASTIC OR THERMOSET EPOXY.
- SIZE 1 COAX CONTACTS NOT INCLUDED, MUST BE ORDERED SEPARATELY
- THE C4 INSERT BACKUP PLATES AND SCREWS ARE ASSEMBLED TO CONNECTOR

MODULE D, E & F: MONOBLOCK INSERTS WITH NON-REMOVABLE STAMPED & FORMED SIZE 22 SOCKET CONTACTS	1484510-6
MODULE D, E & F: FRONT RELEASE INSERTS WITH STANDARD SIZE 22 SOCKET CONTACTS	1484510-3
REMARKS	PART NUMBER

THIS DRAWING IS A CONTROLLED DOCUMENT.		DNW: S. HOFFMAN 10/14/02	STE TE Connectivity													
DIMENSIONS: INCHES		CHK: S. GLATFELTER 10-24-02	NAME: RECEPTACLE ASSY, SIZE 3, TCAS													
TOLERANCES UNLESS OTHERWISE SPECIFIED:		APVD: S. GLATFELTER 10-24-02	PRODUCT SPEC													
<table border="1"> <tr><td>0 PLC</td><td>± .005</td></tr> <tr><td>1 PLC</td><td>± .005</td></tr> <tr><td>2 PLC</td><td>± .005</td></tr> <tr><td>3 PLC</td><td>± .005</td></tr> <tr><td>4 PLC</td><td>± .005</td></tr> <tr><td>ANGLES</td><td>± .005</td></tr> </table>		0 PLC	± .005	1 PLC	± .005	2 PLC	± .005	3 PLC	± .005	4 PLC	± .005	ANGLES	± .005	APPLICATION SPEC		
0 PLC	± .005															
1 PLC	± .005															
2 PLC	± .005															
3 PLC	± .005															
4 PLC	± .005															
ANGLES	± .005															
MATERIAL: SEE CALLOUTS		FINISH: SEE CALLOUTS														
WEIGHT: --		SIZE: A1														
CUSTOMER DRAWING		CAGE CODE: 00779														
SCALE: 3:2		DRAWING NO: 1484510														
SHEET: 3 OF 3		REV: L														