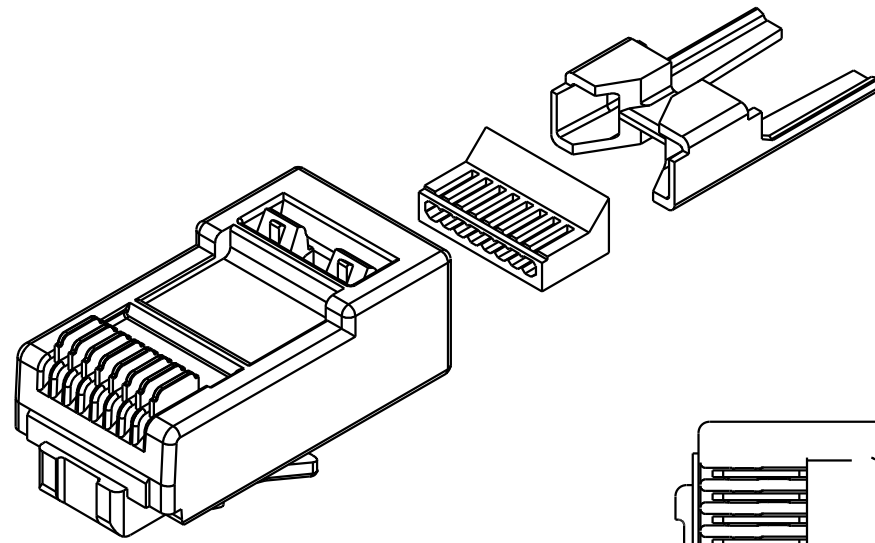
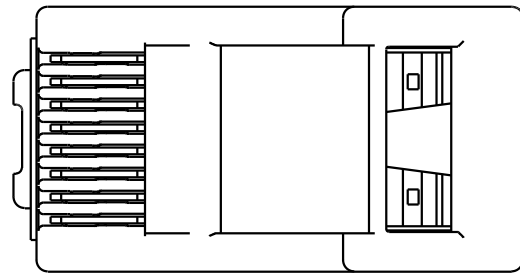


DATE	REV.	ECN	APP'D BY
5-30-12	A2	9480	SMN
7-19-12	A3	9544	TRM
7-25-12	A4	9547	TRM
2-17-15	A5	10259	ADB

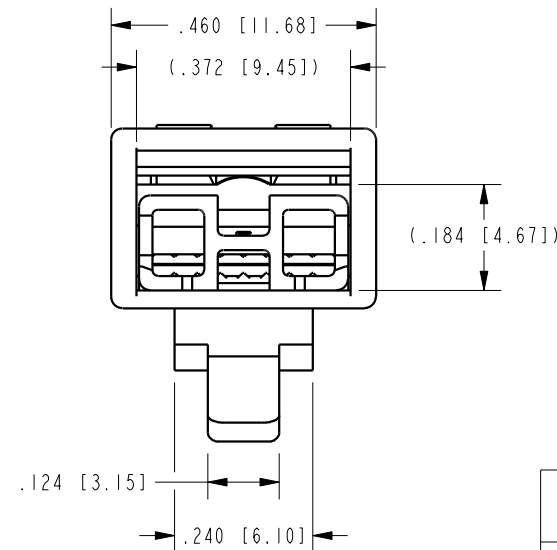
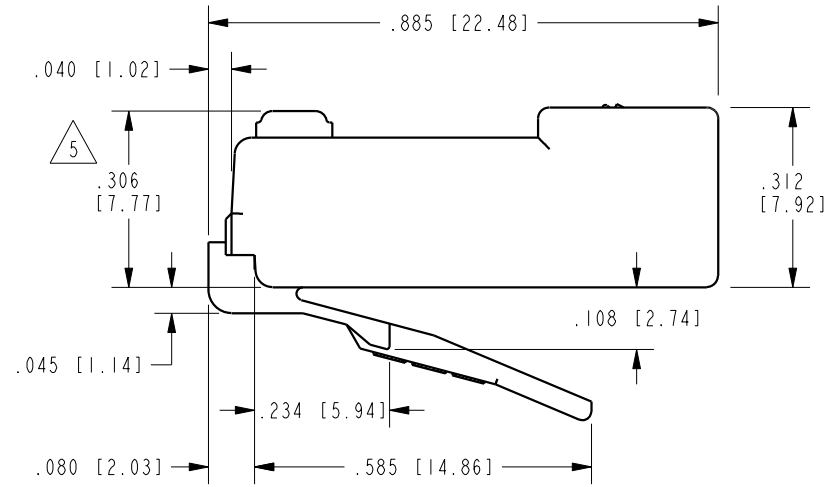
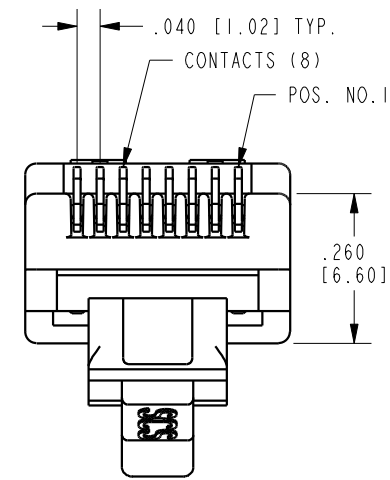


PLUG BODY

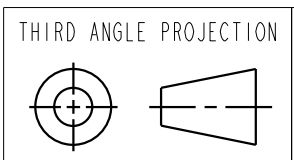
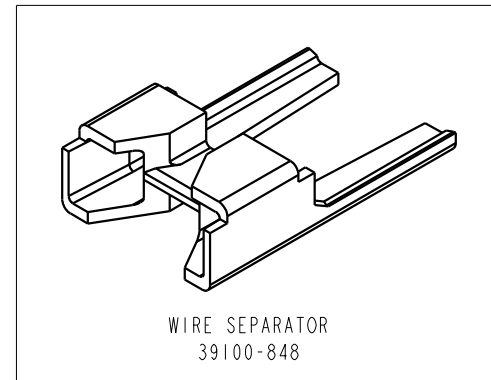
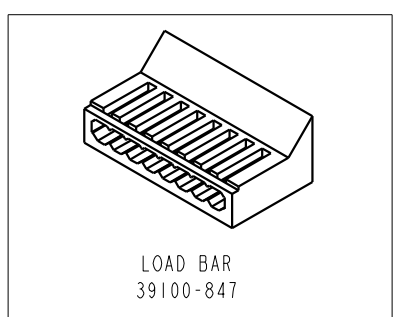


NOTES:

- COMPONENTS -
 PRE-INSERTED PLUG BODY - 39100-308
 PLUG BODY: CLEAR POLYCARBONATE, UL 94-V0
 CONTACTS: COPPER ALLOY, SELECTIVE GOLD PLATING OR EQUIVALENT
 LOAD BAR: POLYCARBONATE, UL 94-V0. COLOR: CLEAR
 WIRE SEPARATOR: CLEAR POLYCARBONATE, UL 94-V0
- CONTACTS TERMINATE SOLID OR STRANDED CONDUCTORS BETWEEN .033 [0.84] TO .039 [0.97] OUTSIDE DIAMETER OF INSULATION.
- FOR PRODUCT SPECIFICATION SEE PRO26-01
- DIMENSIONS AND TOLERANCES COMPLY WITH TIA-1096 STANDARD.
- TERMINATED PLUG HEIGHT: .237 [6.02] ±.005 [0.13].
- PRODUCT DESIGNED FOR CATEGORY 6 APPLICATIONS.



BAG OF 25	50 MICRO-INCHES [1.27um]	SS-39100-022
BULK	50 MICRO-INCHES [1.27um]	SS-39100-021
PACKAGE	CONTACT PLATING IN MATING AREA	PART NUMBER



11118 Susquehanna Trail South
 Glen Rock, PA 17327-9199
 (717) 235-7512
<http://www.stewartconnector.com>

DO NOT SCALE DRAWING	TITLE: 8 POSITION/8 CONDUCTOR CAT6 PLUG WIRE SEPARATOR & LOAD BAR, UNSHIELDED RCV	
DRAWING IS SUBJECT TO CHANGE WITHOUT NOTICE	DRN BY: TRM	DATE: 7-24-07
DIMENSIONS: INCHES [METRIC]	APPD BY: DHG	DATE: 7-24-07
UNLESS OTHERWISE SPECIFIED TOLERANCES ARE ±.005 [0.13] ANGLES ARE ±1°	THIS DRAWING AND THE SUBJECT MATTER SHOWN THEREON ARE CONFIDENTIAL AND THE PROPRIETARY PROPERTY OF STEWART CONNECTOR AND SHALL NOT BE REPRODUCED, COPIED, OR USED IN ANY MANNER WITHOUT PRIOR WRITTEN CONSENT OF STEWART CONNECTOR. THIS PRODUCT MAY BE PROTECTED BY ONE OR MORE OF THE FOLLOWING US PATENTS: 5628647 6402559 6409535 6524128 7753717 8033863 OTHER PATENTS MAY BE PENDING.	
SHEET NO. 1 OF 1	DWG. NO. CT390051	REV. A5