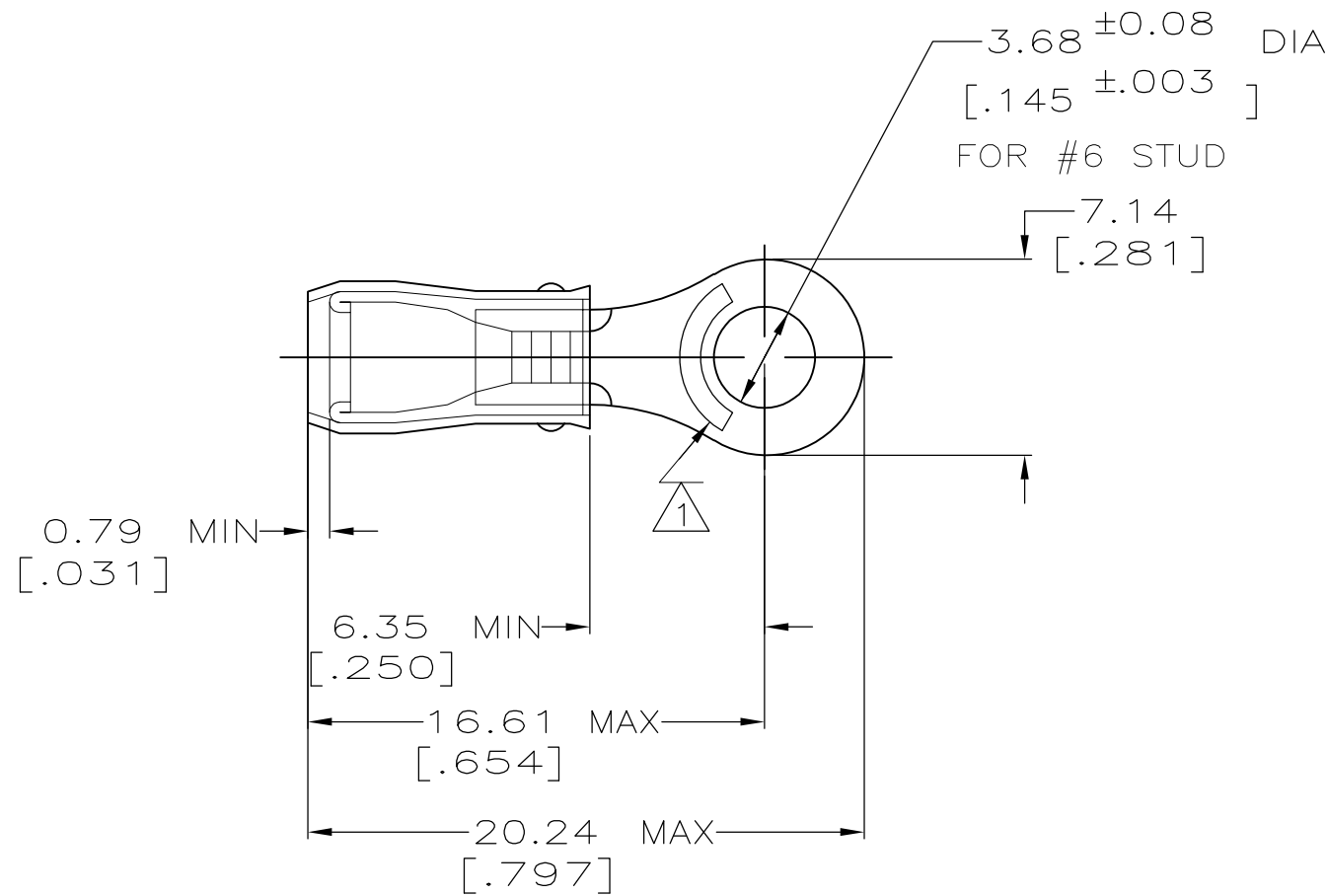


THIS DRAWING IS UNPUBLISHED. RELEASED FOR PUBLICATION - , -
 © COPYRIGHT - By - ALL RIGHTS RESERVED.

LOC	DIST	REVISIONS					
G	14	P	LTR	DESCRIPTION	DATE	DWN	APVD
			M1	REVISED PER ECO-11-004587	11MAR11	RK	HMR

AMP WIRE RANGE	Listed	LR7189 Certified
22-16 AWG SOLID OR STRANDED	22-16 AWG SOLID OR STRANDED	22-16 AWG SOLID OR STRANDED



- 1 STAMP AMP 22-18* APPROX AS SHOWN
22-16 TERMINALS ARE STAMPED 22-18 IN
ACCORDANCE WITH MILITARY SPEC MIL-T-7928
COMMERCIAL WIRE RANGE IS 22-16
- 2 WIRE INSULATION DIA: .080 - .125
- 3 TONGUE MATERIAL THK: 0.79 ±0.05 [.031 ±.002]

-	100	LOOSE PIECE BOX	8-36151-1
-	5000	ON TAPE, REEL	2-36151-2
-	-	LOOSE PIECE	36151
MILITARY P/N AND CLASS	QUANTITY	PACKAGE TYPE	PART NO

AMP INCORPORATED CUSTOMER SERVICE SYSTEMS		MAX RECOMMENDED OPERATING TEMPERATURE: 105° C MAX
FOR ADDITIONAL PRODUCT INFORMATION OR COPIES OF DRAWINGS AND TECHNICAL DOCUMENTS	PRODUCT INFORMATION CENTER 1-800-522-6752	VOLTAGE RATING: 300 V MAX
FOR APPLICATION TOOLING INFORMATION	TOOLING ASSISTANCE CENTER 1-800-722-1111	WIRE CROSS SECTIONAL AREA RANGE: 0.26-1.65mm ² [509-3,260] CIR MILS SOLID OR STRANDED
FOR ORDER ENTRY	1-800-526-5142	THIS DRAWING IS A CONTROLLED DOCUMENT FOR AMP INCORPORATED. IT IS SUBJECT TO CHANGE AND THE CONTROLLING ENGINEERING ORGANIZATION SHOULD BE CONTACTED FOR THE LATEST REVISION.

THIS DRAWING IS A CONTROLLED DOCUMENT.		DWN DK SCHRUM 02/11/93	TE Connectivity	
DIMENSIONS: mm [INCHES]		CHK RE HERSEY 4/28/93		
TOLERANCES UNLESS OTHERWISE SPECIFIED: 0 PLC ± - 1 PLC ± - 2 PLC ± 0.20[.008] 3 PLC ± - 4 PLC ± - ANGLES ± -		APVD ML ELLIS 4/28/93	NAME TERMINAL, RING TONGUE, PIDG,™ WIRE SIZE, 22- 16 AWG	
MATERIAL COPPER ASTM B-152 SLEEVE, RED NYLON		FINISH TIN PLATE PER MIL-T-10727	PRODUCT SPEC UL 486A	APPLICATION SPEC NOT AVAILABLE
		WEIGHT -	SIZE A3	CAGE CODE 00779
			DRAWING NO C-36151	RESTRICTED TO -
		CUSTOMER DRAWING	SCALE 4:1	SHEET 1 OF 1
				REV M1