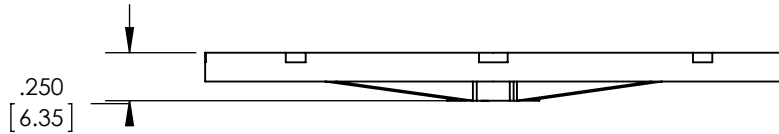
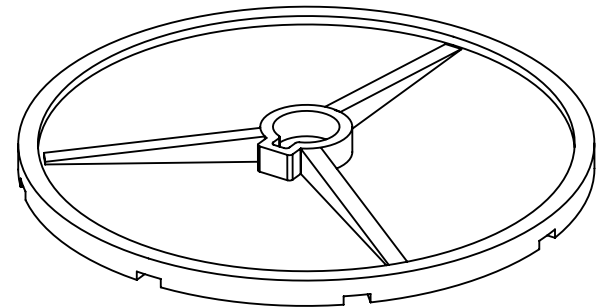
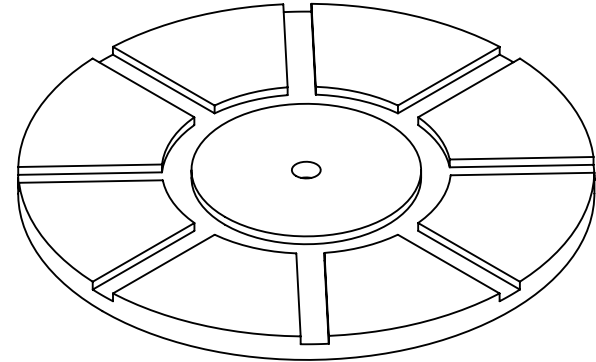
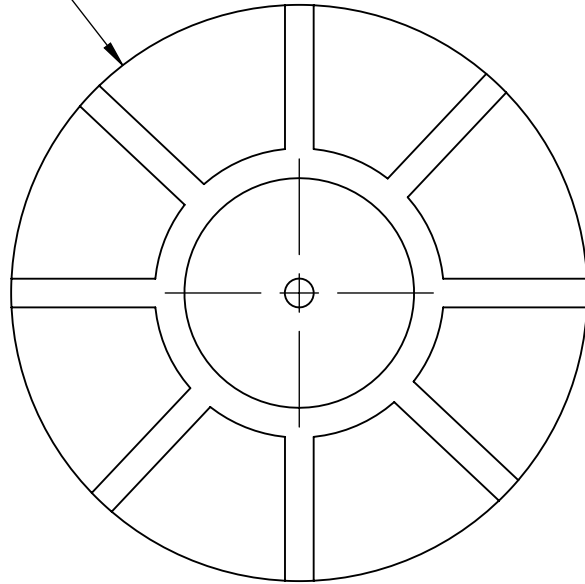


SW2014



Revision level			Revision Record	Changed	Date	Approved	Date
Drawing	State	Part					
00.0	Design Release		SEE ECN# 013497	GRW	7/12/2016	KAC	7/12/2016

R1.501  
[38.12]



Material  
**ENGINEERED  
THERMOPLASTIC**

Units: **inches**  
Dimension without  
tolerances details to:  
.xxxx = ±.0005  
.xxx = ±.005  
.xx = ±.01  
.x = ±.03  
None = ±.06  
∠ = ±0.5°  
Dimension Formatted in [mm]

The copyright of this  
drawing is reserved by  
HellermannTyton. It is  
issued on condition that it is  
not reproduced, copied, or  
disclosed to a third party,  
either wholly or in part,  
without the consent of  
HellermannTyton.

Drawn	GRW	7/11/2016
Approved	KAC	7/11/2016

**HellermannTyton**  
North America  
Email: corp@htamericas.com  
Web: www.hellermann.tyton.com

Article/Type-No	855-19206 / FCPUCKSCST
Title	<b>POLISHING PUCK, SC/ST FIBER CONNECTORS</b>
Drawing-No	PRODUCTION : Phase <b>16-1302-001-CSU</b>

Scale	1:1
Project Number	PRP 16-1302
Format	AH
Sheet	1/1