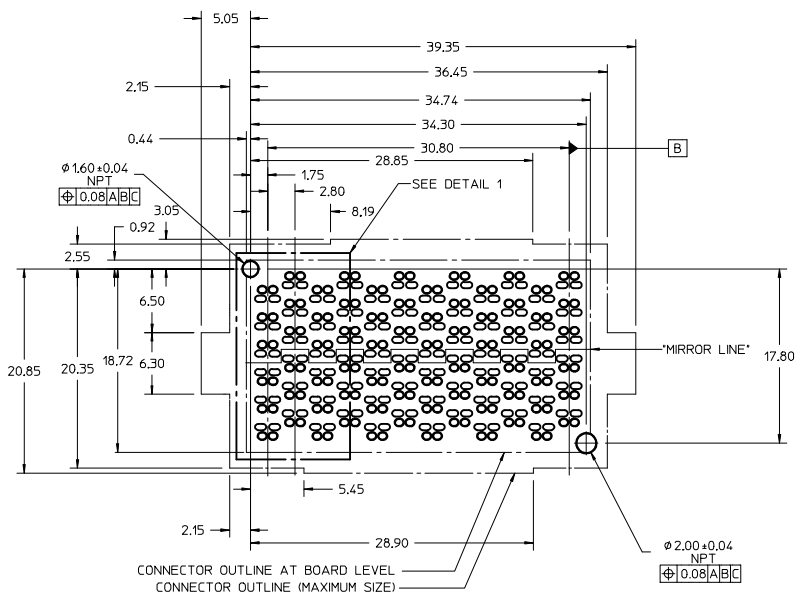
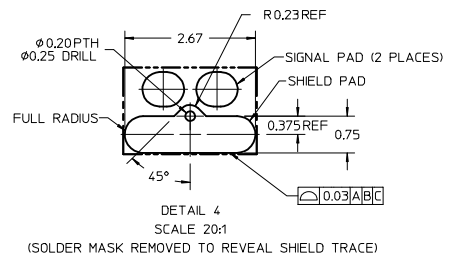
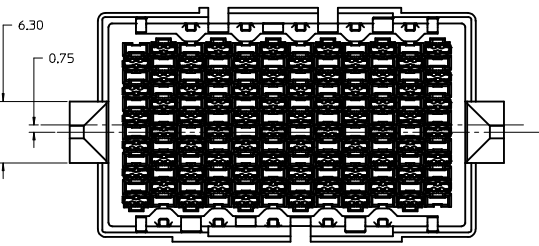
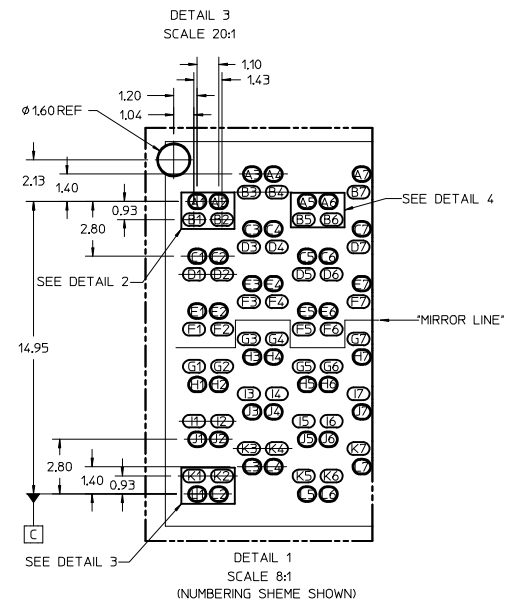
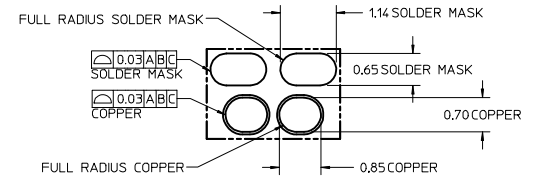
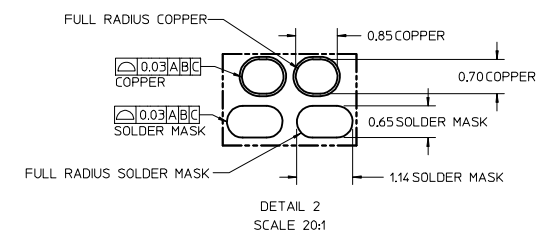
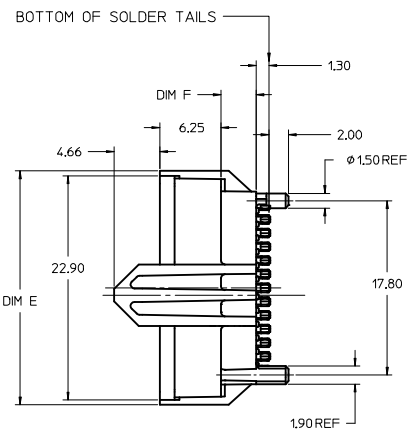
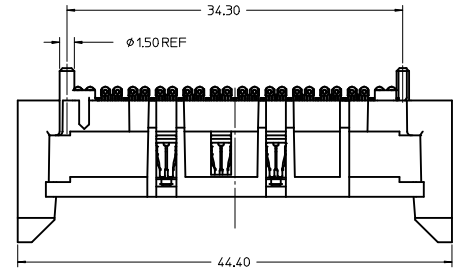


- NOTES:
- HOUSING MATERIAL: LCP, GLASS FILLED, UL 94V-0, BLACK
CONTACT MATERIAL: HIGH PERFORMANCE COPPER ALLOY
SOLDER CHARGE: LEAD FREE SOLDER ALLOY
 - FINISH:
CONTACTS: SELECTIVE GOLD: 30 MNCHES MIN ON CONTACT AREA,
SELECTIVE TIN: 100 MNCHES MIN ON SOLDERABLE PORTION
OF SOLDER TAILS, OVER 50 MNCHES MIN NICKEL OVERALL.
 - PRODUCT SPECIFICATION: PS-170807-0001
 - PACKAGING SPECIFICATION: PK-170814-002
 - APPLICATION SPECIFICATION: AS-170807-0001



FOOT PRINT
(SCALE 4:1)

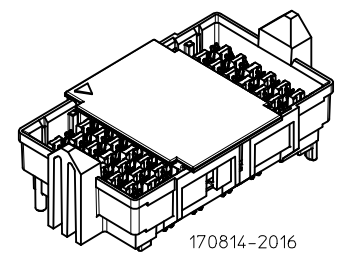
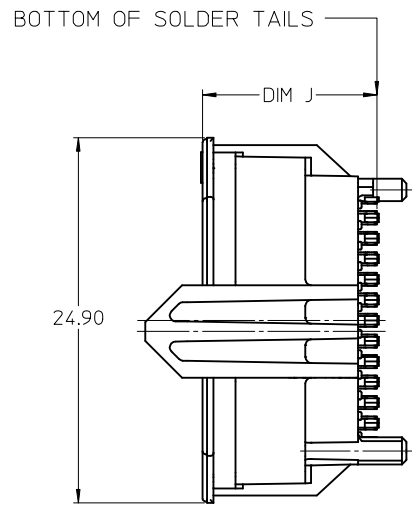
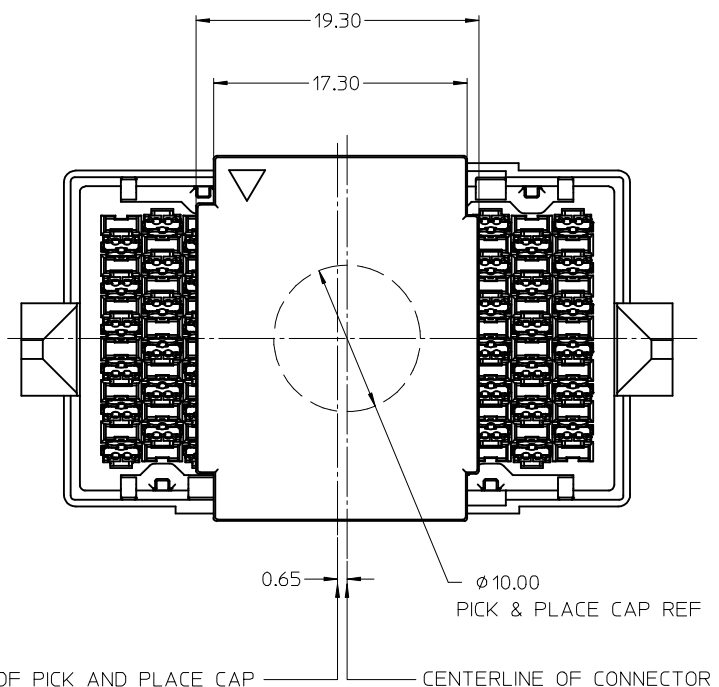
- FOOT PRINT NOTES:
- DATUM -A- IS THE TOP OF THE PCB.
 - ALL DIMENSIONS ARE BASICS.
 - SEE APPLICATION SPECIFICATION FOR ADDITIONAL INFORMATION.



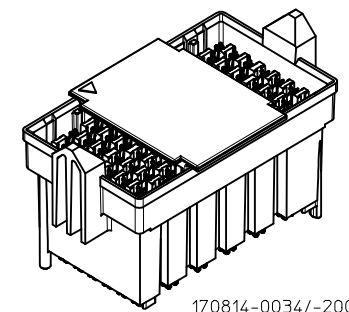
PART ILLUSTRATED IS 170814-2016

ADD NEW MATING P/N IEC NO. UICP2016-4880 DRAWN BY: CHYKDISSIECHUA 2016/07/07 CHECKED BY: CHYKDISSIECHUA 2016/07/07 APPROVED BY: DMC GOWAN 2016/07/11	QUALITY SYMBOLS	GENERAL TOLERANCES (UNLESS SPECIFIED)	DIMENSION STYLE	SCALE	DESIGN UNITS	THIRD ANGLE PROJECTION
	$\nabla=0$ $\nabla=0$ $\nabla=0$	mm INCH 4 PLACES ± --- ± --- 3 PLACES ± --- ± --- 2 PLACES ± 0.15 ± --- 1 PLACE ± --- ± --- 0 PLACE ± --- ± ---	MM ONLY	4:1	METRIC	
	DRAWN BY: HCGOH CHECKED BY: KPELOZA APPROVED BY: SHONG	DATE: 2013/12/30 DATE: 2013/12/30 DATE: 2014/01/27	MATERIAL NO. SEE CHART	TITLE RECEPTACLE 6X12 NEOSCALE 	DOCUMENT NO. SD-170814-2016	SHEET NO. 1 OF 2
	SIZE D	THIS DRAWING CONTAINS INFORMATION THAT IS PROPRIETARY TO MOLEX INCORPORATED AND SHOULD NOT BE USED WITHOUT WRITTEN PERMISSION				

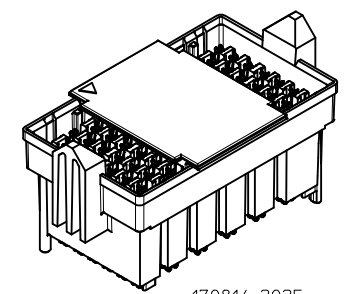
MATERIAL NUMBER	HEIGHT	TRIAD TYPE AND COUNT			DIM E	DIM F	DIM J	MATE WITH
		85 OHMS	100 OHMS	POWER				
1708142016	8.00MM	N/A	72 PLACES	N/A	23.90	3.59	11.89	1708072016 (22MM) & 1708072008 (12MM) & 1708072020 (8MM)
1708140034	18.00MM	72 PLACES	N/A	N/A	N/A	13.59	21.89	1708070034 (22MM)
1708142008	18.00MM	N/A	72 PLACES	N/A	N/A	13.59	21.89	1708072016 (22MM) & 1708072008 (12MM) & 1708072020 (8MM) 1708072027 (10MM)
1708142025	15.00MM	N/A	72 PLACES	N/A	N/A	10.59	18.89	1708072016 (22MM) & 1708072008 (12MM) & 1708072020 (8MM)



170814-2016



170814-0034/-2008



170814-2025

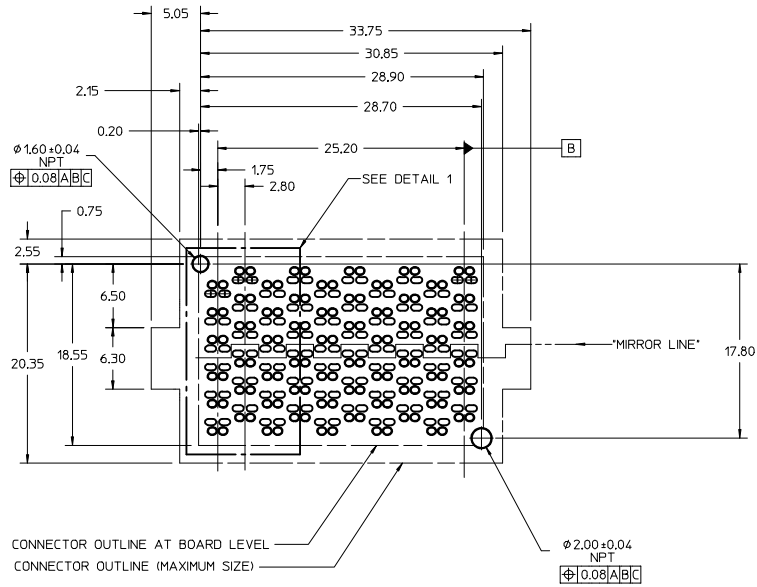
CENTERLINE OF PICK AND PLACE CAP ——— CENTERLINE OF CONNECTOR

PART ILLUSTRATED IS 170814-2016

SEE SHEET 1 IEC NO: UCP2016-4880 DRAWN: JESSIE CHUA 2016/07/07 CHECKED: MCGOWAN 2016/07/07 APPROVED: MCGOWAN 2016/07/11 A2	QUALITY SYMBOLS	GENERAL TOLERANCES (UNLESS SPECIFIED)	DIMENSION STYLE	SCALE	DESIGN UNITS	THIRD ANGLE PROJECTION
	▽=0	mm INCH	MM ONLY	6:1	METRIC	RECEPTACLE
	▽=0	4 PLACES ± --- ± ---	DRAWN BY DATE			6X12
	▽=0	3 PLACES ± --- ± ---	HCGOH 2013/12/30			NEOSCALE
	2 PLACES ± 0.15 ± ---	CHECKED BY DATE			molex	
	1 PLACE ± --- ± ---	APPROVED BY DATE			RECEPTACLE	
	0 PLACE ± --- ± ---	SHONG 2014/01/27			6X12	
		ANGULAR ±1/2°	SEE CHART		SD-170814-2016	
		DRAFT WHERE APPLICABLE MUST REMAIN WITHIN DIMENSIONS				

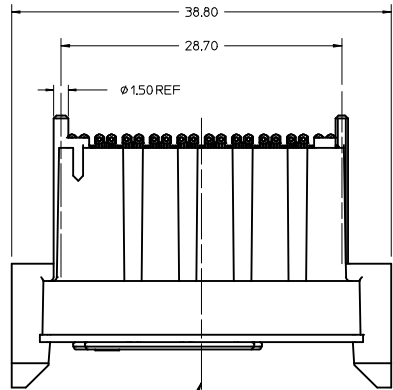
THIS DRAWING CONTAINS INFORMATION THAT IS PROPRIETARY TO MOLEX INCORPORATED AND SHOULD NOT BE USED WITHOUT WRITTEN PERMISSION

- NOTES:
- HOUSING MATERIAL: LCP, GLASS FILLED, UL 94V-0, BLACK
CONTACT MATERIAL: HIGH PERFORMANCE COPPER ALLOY
SOLDER CHARGE: LEAD FREE SOLDER ALLOY
 - FINISH:
CONTACTS: SELECTIVE GOLD: 30 HNCES MIN ON CONTACT AREA,
SELECTIVE TIN: 100 HNCES MIN ON SOLDERABLE PORTION
OF SOLDER TAILS, OVER 50 HNCES MIN NICKEL OVERALL.
 - PRODUCT SPECIFICATION: PS-170807-0001
 - PACKAGING SPECIFICATION: PK-170814-002
 - APPLICATION SPECIFICATION: AS-170807-0001

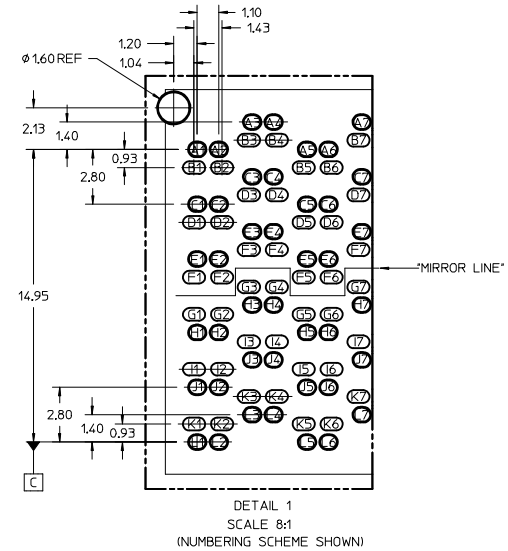
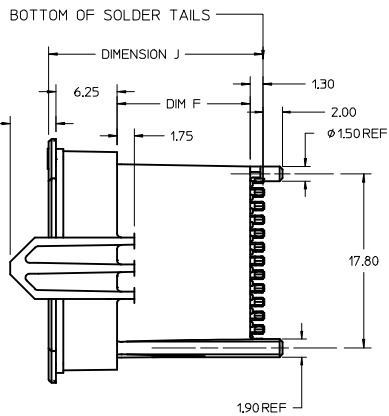
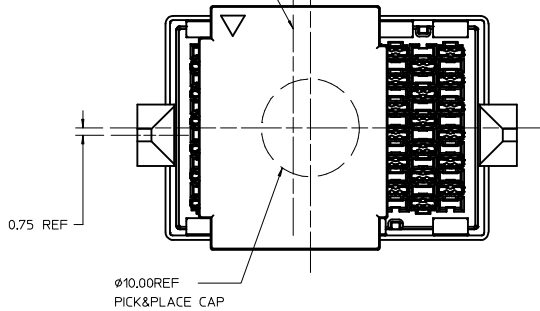


FOOT PRINT
(SCALE 4:1)

- FOOT PRINT NOTES:
- DATUM -A- IS THE TOP OF THE PCB.
 - ALL DIMENSIONS ARE BASICS.
 - SEE APPLICATION SPECIFICATION FOR ADDITIONAL INFORMATION.



CENTERLINE OF CONNECTOR
CENTERLINE OF P&P CAP



DETAIL 1
SCALE 8:1
(NUMBERING SCHEME SHOWN)

PROPOSAL IEC NO. UCP2016-4775 DRAWN BY JESSIECHUA 2016/06/14 CHECKED BY CHYKHCGOH 2016/06/14 APPR:DMCGOWAN 2016/07/11 REV DESCRIPTION	QUALITY SYMBOLS		GENERAL TOLERANCES (UNLESS SPECIFIED)		DIMENSION STYLE		SCALE	DESIGN UNITS	THIRD ANGLE PROJECTION
	$\nabla=0$	$\nabla=0$	$\nabla=0$	mm	INCH	MM ONLY	4:1	METRIC	
	4 PLACES	3 PLACES	2 PLACES	±	±	±	±	±	±
	1 PLACE	0 PLACE	±	±	±	±	±	±	±
ANGULAR ±1/2°			DRAFT WHERE APPLICABLE MUST REMAIN WITHIN DIMENSIONS		MATERIAL NO.		DOCUMENT NO.		SHEET NO.
SEE CHART		DRAWN BY JESSIECHUA 2016/06/14		DATE 2016/06/14		TITLE		RECEPTACLE 6X10 NEOSCALE	
DRAWN BY JESSIECHUA 2016/06/14		DATE 2016/06/14		CHECKED BY CHYKHCGOH 2016/06/14		DATE 2016/06/14		APPROVED BY DMCGOWAN 2016/07/11	
DATE 2016/07/11		DATE 2016/07/11		DATE 2016/07/11		DATE 2016/07/11		DATE 2016/07/11	
DATE 2016/07/11		DATE 2016/07/11		DATE 2016/07/11		DATE 2016/07/11		DATE 2016/07/11	
DATE 2016/07/11		DATE 2016/07/11		DATE 2016/07/11		DATE 2016/07/11		DATE 2016/07/11	

20 19 18 17 16 15 14 13 12 11 10 9 8 7 6 5 4 3 2 1

MATERIAL NUMBER	HEIGHT	TRIAD TYPE AND COUNT			DIM F	DIM J	MATE WITH
		85 OHMS	100 OHMS	POWER			
1708142026	18.00MM	N/A	60 PLACES	N/A	13.59	21.89	1708072026 (10MM)



SEE SHEET 1 IEC NO: UCP2016-4775 DRAWN: JESSIECHUA 2016/06/14 CHYKHCHGH 2016/06/14 APPR: DMCGOWAN 2016/07/11	QUALITY SYMBOLS ▽=0 ▽=0 ▽=0	GENERAL TOLERANCES (UNLESS SPECIFIED)		DIMENSION STYLE	SCALE	DESIGN UNITS	THIRD ANGLE PROJECTION		
				MM ONLY	METRIC	DRAWN BY DATE JESSIECHUA 2016/06/14 CHECKED BY DATE DMCGOWAN 2016/06/14 APPROVED BY DATE DMCGOWAN 2016/07/11			
				4 PLACES ± mm INCH 3 PLACES ± --- ± --- 2 PLACES ± 0.15 ± --- 1 PLACE ± --- ± --- 0 PLACE ± --- ± ---	TITLE RECEPTACLE 6X10 NEOSCALE molex				
				ANGULAR ±1/2°	MATERIAL NO.		DOCUMENT NO.		SHEET NO.
		DRAFT WHERE APPLICABLE MUST REMAIN WITHIN DIMENSIONS	SEE CHART		SD-170814-2026		2 OF 2		
THIS DRAWING CONTAINS INFORMATION THAT IS PROPRIETARY TO MOLEX INCORPORATED AND SHOULD NOT BE USED WITHOUT WRITTEN PERMISSION									

18 frame_0_P_AM_T Rev. G 2012/01/11

19 18 17 16 15 14 13 12 11 10 9 8 7 6 5 4 3 2 1