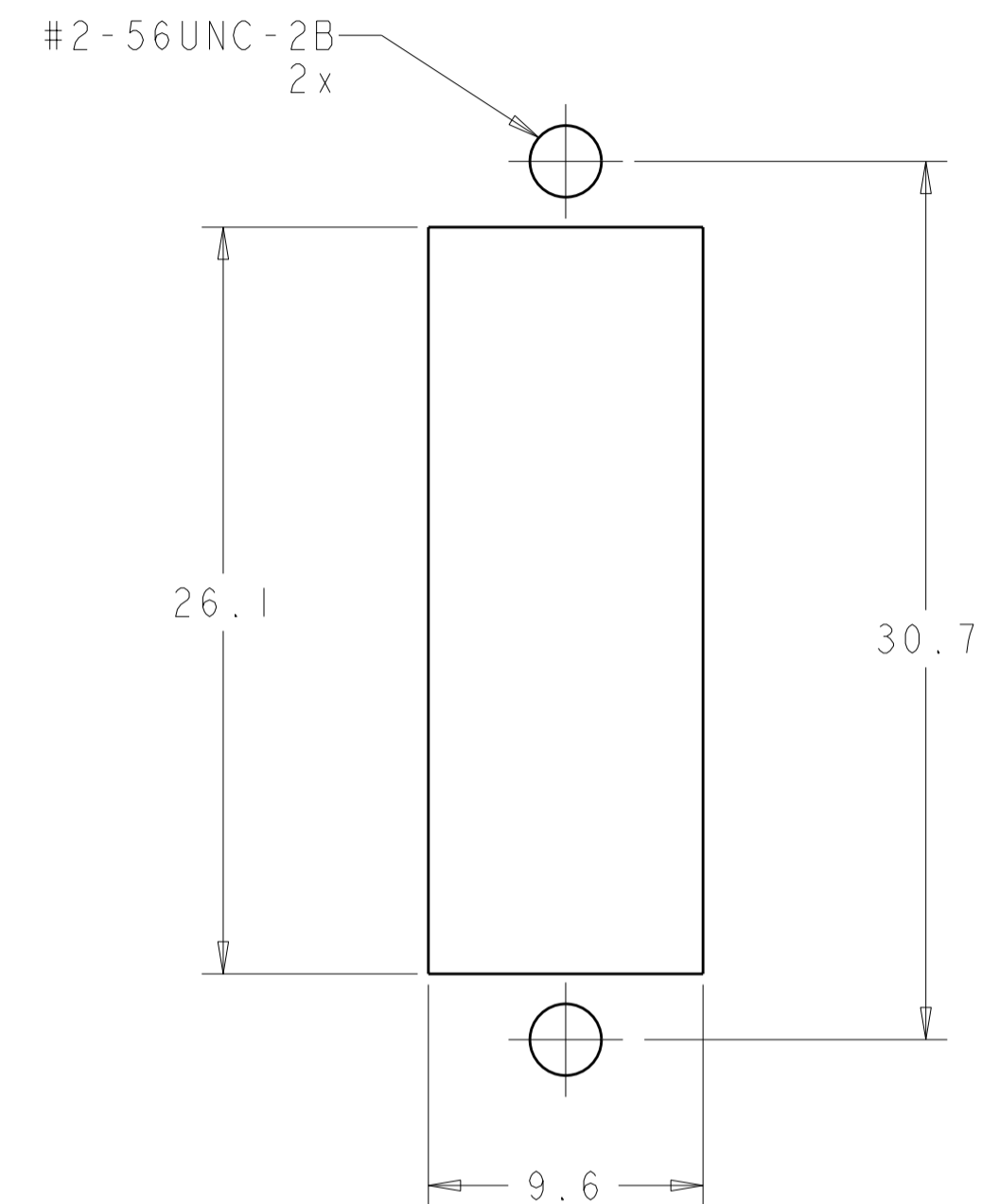
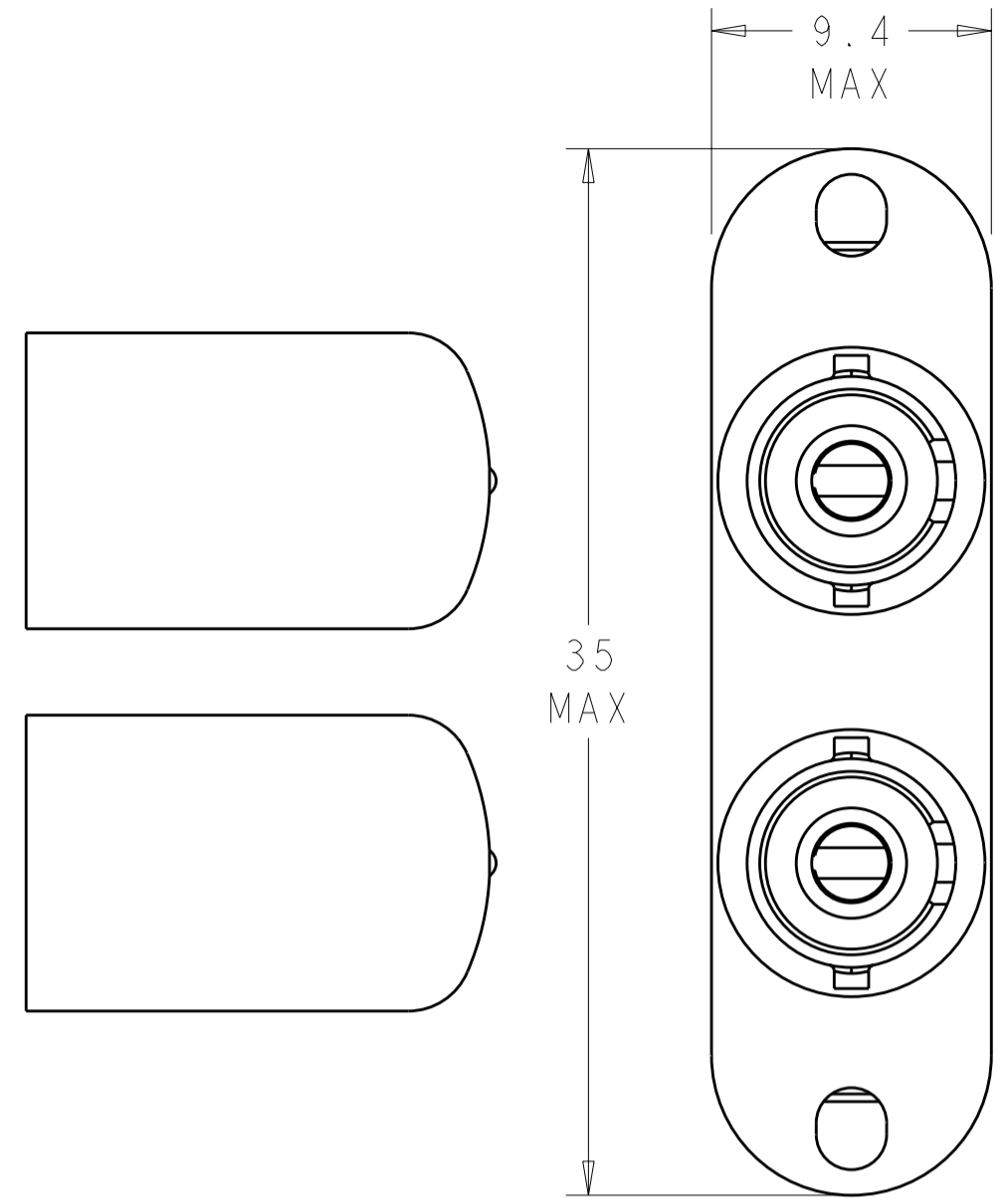
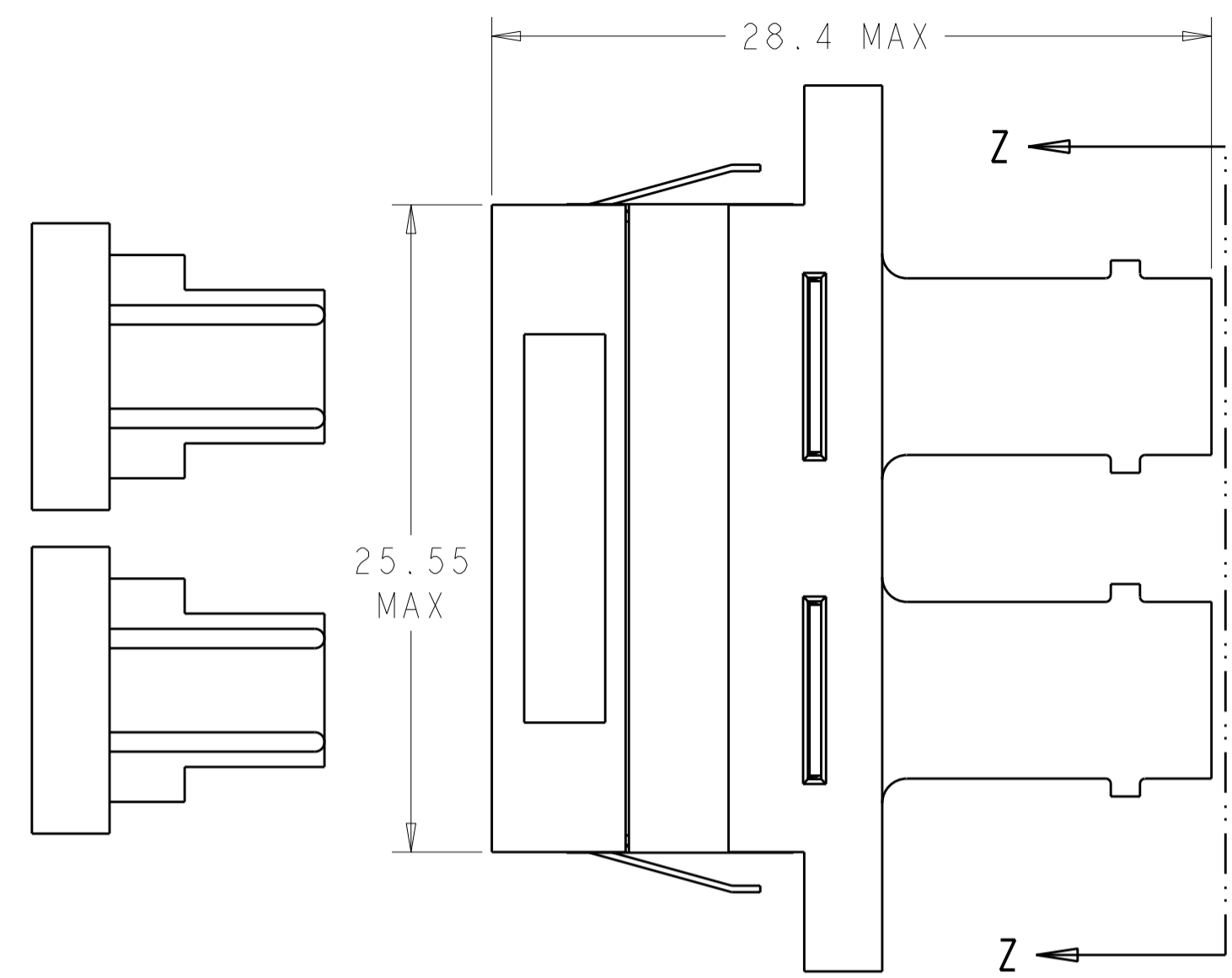
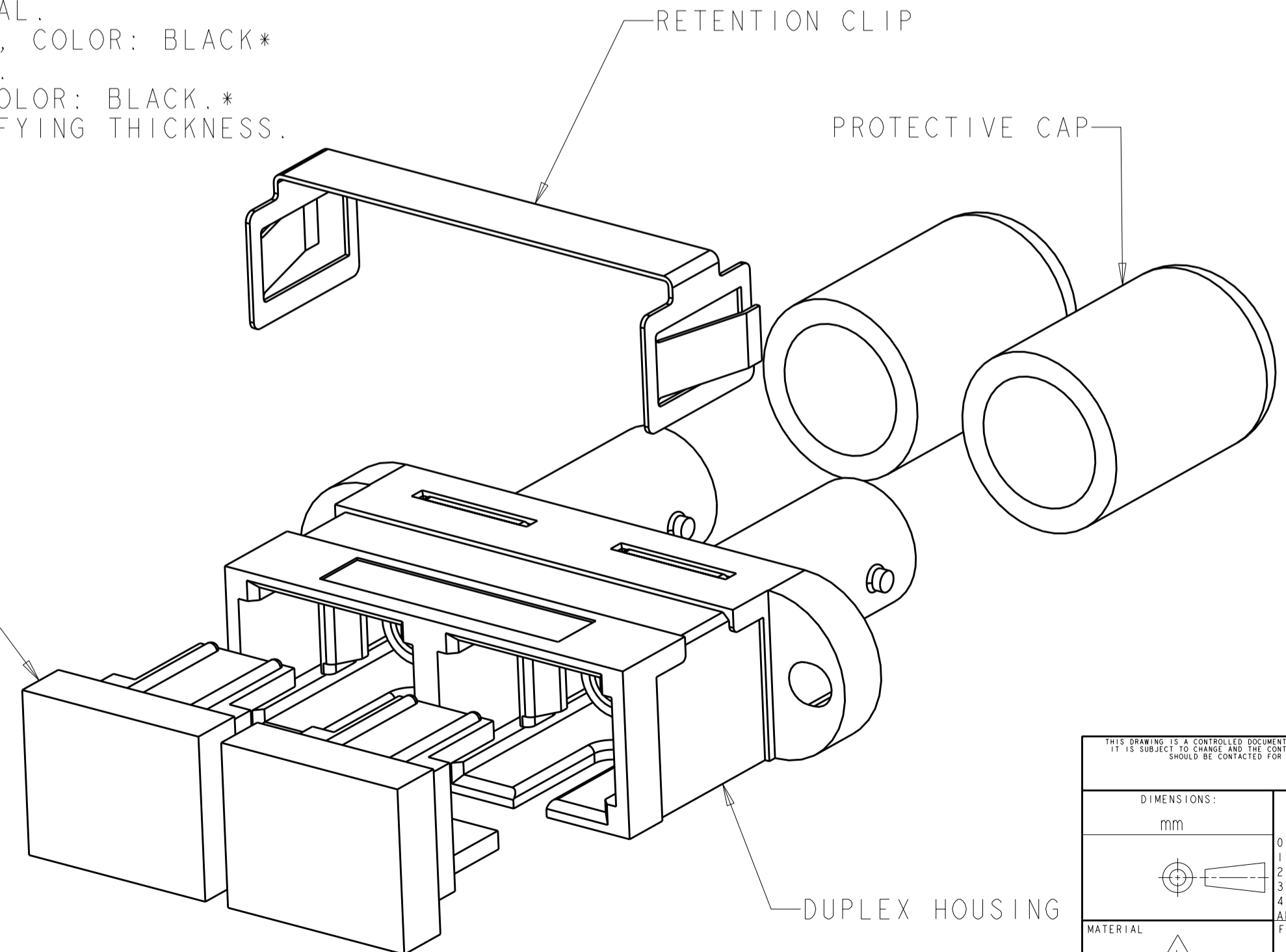


THIS DRAWING IS UNPUBLISHED. RELEASED FOR PUBLICATION 20  
 © COPYRIGHT 20 BY TYCO ELECTRONICS CORPORATION. ALL RIGHTS RESERVED.

| LOC | DIST | REVISIONS   |                          |           |       |
|-----|------|-------------|--------------------------|-----------|-------|
| P   | LTR  | DESCRIPTION | DATE                     | DWN       | APVD  |
| CE  | 00   | A           | REVISE PER ECR-06-000779 | 12JAN2006 | BB SB |
|     |      | B           | REVISE PER ECR-07-014489 | 10JUL2007 | BB SM |
|     |      | C           | REVISE PER ECR-08-000844 | 23JAN2008 | BB SM |



△ MATERIAL:  
 HOUSING: PBT-GF30, SEE DASH NUMBERS FOR COLORS.\*  
 RETENTION CLIP: STAINLESS STEEL.  
 ALIGNMENT SLEEVE: METAL.  
 PROTECTIVE COVER: TPE, COLOR: BLACK\*  
 PROTECTIVE CAP: VINYL.  
 RETAINER: PEI-GF30, COLOR: BLACK.\*  
 \*UL94 V-0 RATED AT QUALIFYING THICKNESS.



SUGGESTED PANEL CUTOUT  
 MAXIMUM PANEL THICKNESS 1.7

|                |           |             |
|----------------|-----------|-------------|
| RETENTION CLIP | BLACK     | 5504663-6   |
| RETENTION CLIP | AQUA      | 5504663-5   |
| RETENTION CLIP | BEIGE     | 5504663-4   |
| NONE           | BEIGE     | 5504663-2   |
| NONE           | LT ALMOND | 5504663-1   |
| HARDWARE       | COLOR     | PART NUMBER |

|  |  |   |  |
|--|--|---|--|
| THIS DRAWING IS A CONTROLLED DOCUMENT FOR TYCO ELECTRONICS CORPORATION<br>IT IS SUBJECT TO CHANGE AND THE CONTROLLING ENGINEERING ORGANIZATION<br>SHOULD BE CONTACTED FOR THE LATEST REVISION. |  | DWN B. BRIGGS 16MAY2005<br>CHK S. MILLER 16MAY2005<br>APVD S. BUCHTER 16MAY2005 | Tyco Electronics<br>Harrisburg, PA 17105-3608  |
| DIMENSIONS:<br>mm<br>  | TOLERANCES UNLESS OTHERWISE SPECIFIED:<br>0 PLC ±<br>1 PLC ±0.1<br>2 PLC ±0.05<br>3 PLC ±<br>4 PLC ±<br>ANGLES ±<br>FINISH | PRODUCT SPEC<br>APPLICATION SPEC<br>WEIGHT<br>CUSTOMER DRAWING                  | NAME RECEPTACLE ASSEMBLY, DUPLEX, AMP SC TO BAYONET<br>SIZE A2<br>CAGE CODE 00779<br>DRAWING NO C-5504663<br>RESTRICTED TO<br>SCALE 4:1 SHEET 1 OF 1 REV C |