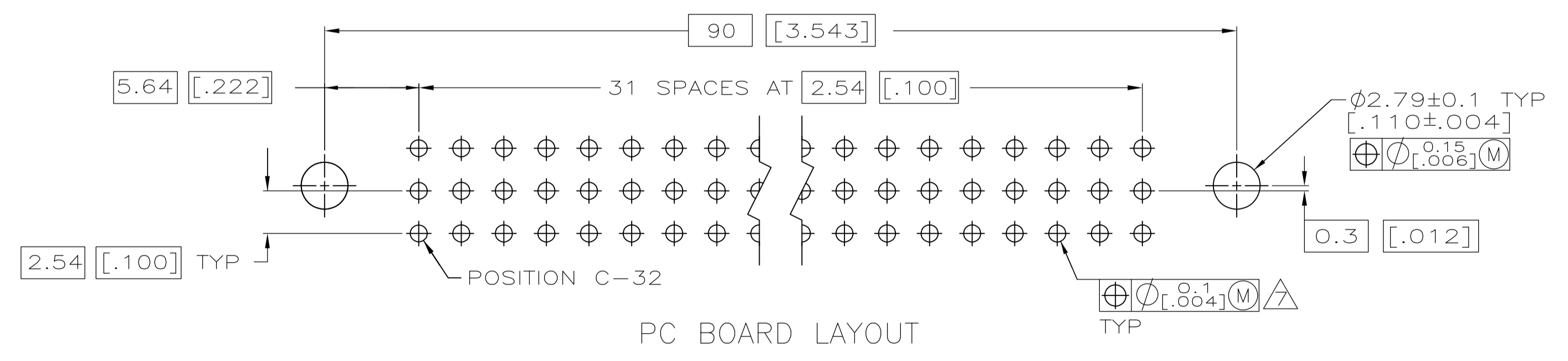
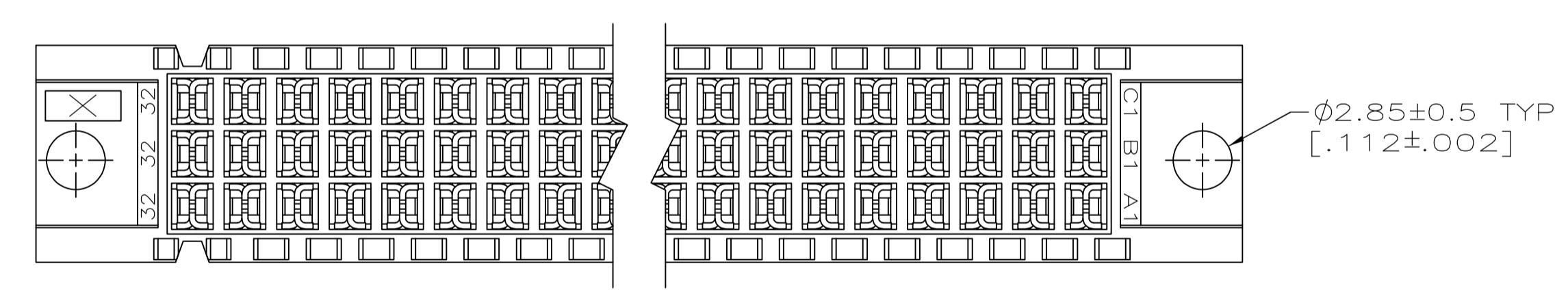
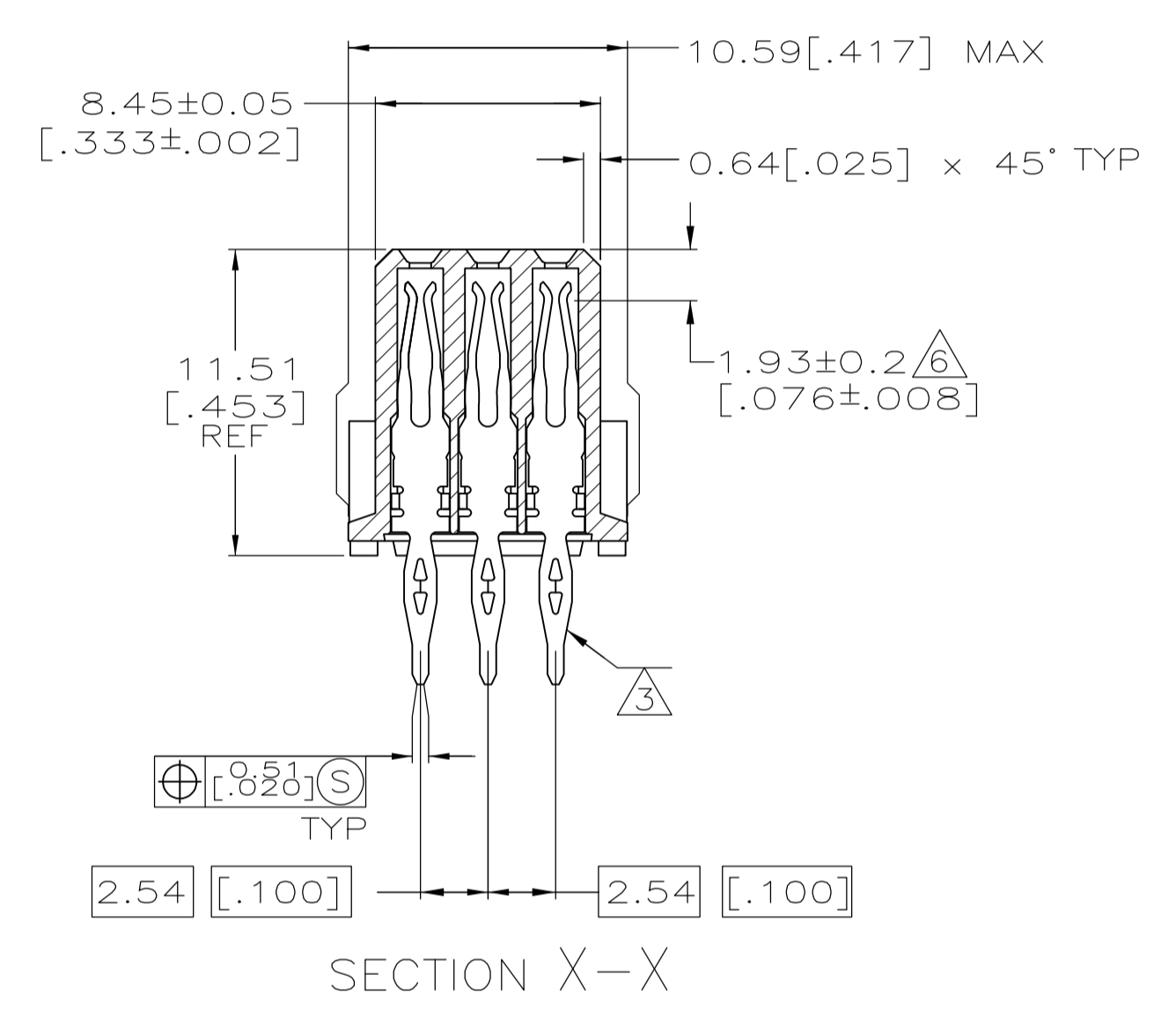
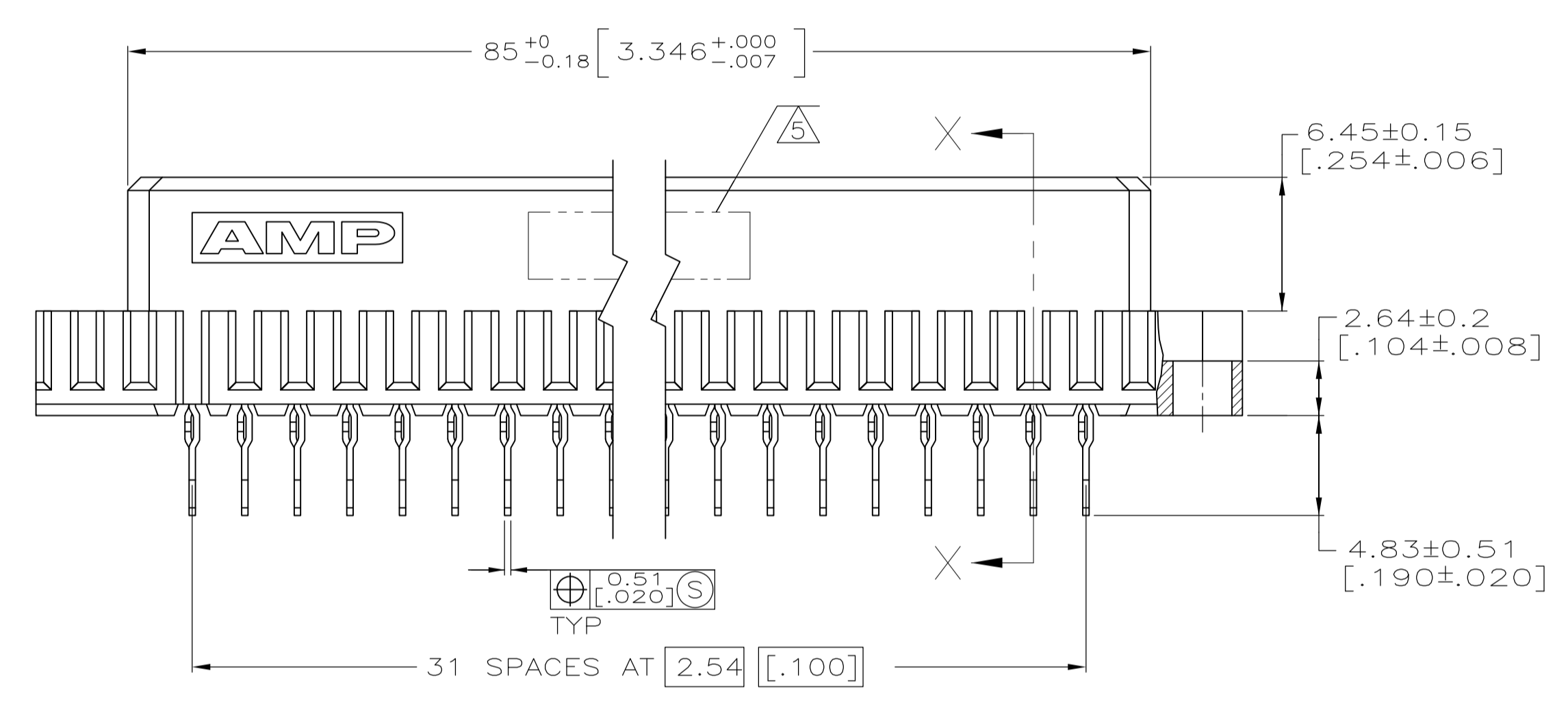
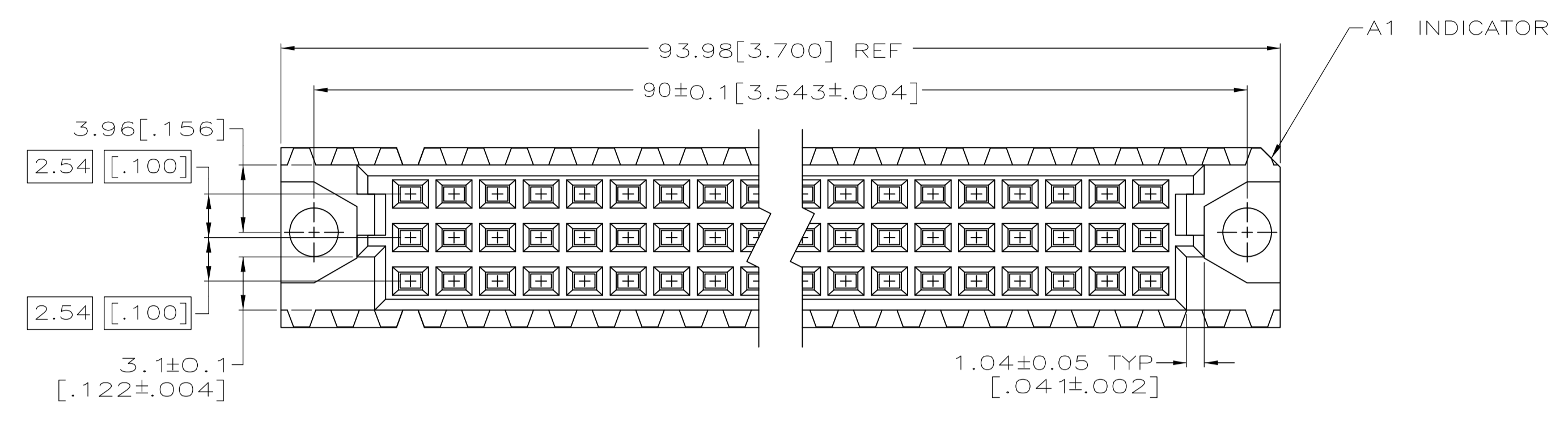


- 1 HOUSING MATERIAL: GLASS-FILLED POLYMER. COLOR: GRAY.
- 2 CONTACT MATERIAL: COPPER ALLOY.
- 3 CONTACT FINISH: DIN 41612 CLASS 2 IN CONTACT AREA. TIN PLATE ON POSTS.
- 4 CONTACT FINISH: DIN 41612 CLASS 3 IN CONTACT AREA. TIN PLATE ON POSTS.
- 5 PART NUMBER, DATE CODE IDENTIFICATION, CSA LOGO IN THIS APPROXIMATE AREA.
- 6 POINT OF MEASUREMENT FOR FINISH.
- 7 ACTION PIN POSTS REQUIRE 1.57[.062] MINIMUM THICK PC BOARD. RECOMMENDED PC BOARD HOLES ARE $\phi .151 \pm 0.2$ [.0453 \pm .001] DRILLED HOLE WITH 0.02-0.07 [.001-.003] COPPER AND 0.008 [.0003] MINIMUM TIN-LEAD PLATING. FINISHED HOLE AFTER PLATING, $\phi 0.94-1.09$ [.037-.043].
- 8 CONTACT AREA FINISH: 0.00076mm [.000030] MIN GOLD OVER 0.00127 [.000050] MIN NICKEL. TAIL FINISH: 0.0025 [.000100] MIN MATTE TIN OVER 0.00127 [.000050] MIN NICKEL.



FINISH	POSITIONS LOADED	C	B	A	NO. OF LOADED POSITION	ASSY PART NUMBER
1 THRU 32	X X X	X	X	X	96	5535032-9
1 THRU 32	X X X	X	X	X	96	5535032-6
1 THRU 32	X X X	X	X	X	96	5535032-5
1 THRU 32	X X X	X	X	X	96	5535032-4

THIS DRAWING IS A CONTROLLED DOCUMENT.

DIMENSIONS: mm [INCHES]	TOLERANCES UNLESS OTHERWISE SPECIFIED:	DIN J. POLIGNONE 25MAY05	TE Connectivity
0 PLC ± -	1 PLC ± -	2 PLC ± 0.13 [.005]	ASSEMBLY, RECEPTACLE, EUROCARD, TYPE C, LEAD-FREE, 96 POSITION, 4.83 [.190] TOOLLESS, PRESS-FIT
3 PLC ± -	4 PLC ± -	ANGLES ± -	SIZE: A1 00779 C=5535032
MATERIAL	FINISH	WEIGHT	CUSTOMER DRAWING

SCALE: 4:1 SHEET 1 OF 1 REV R