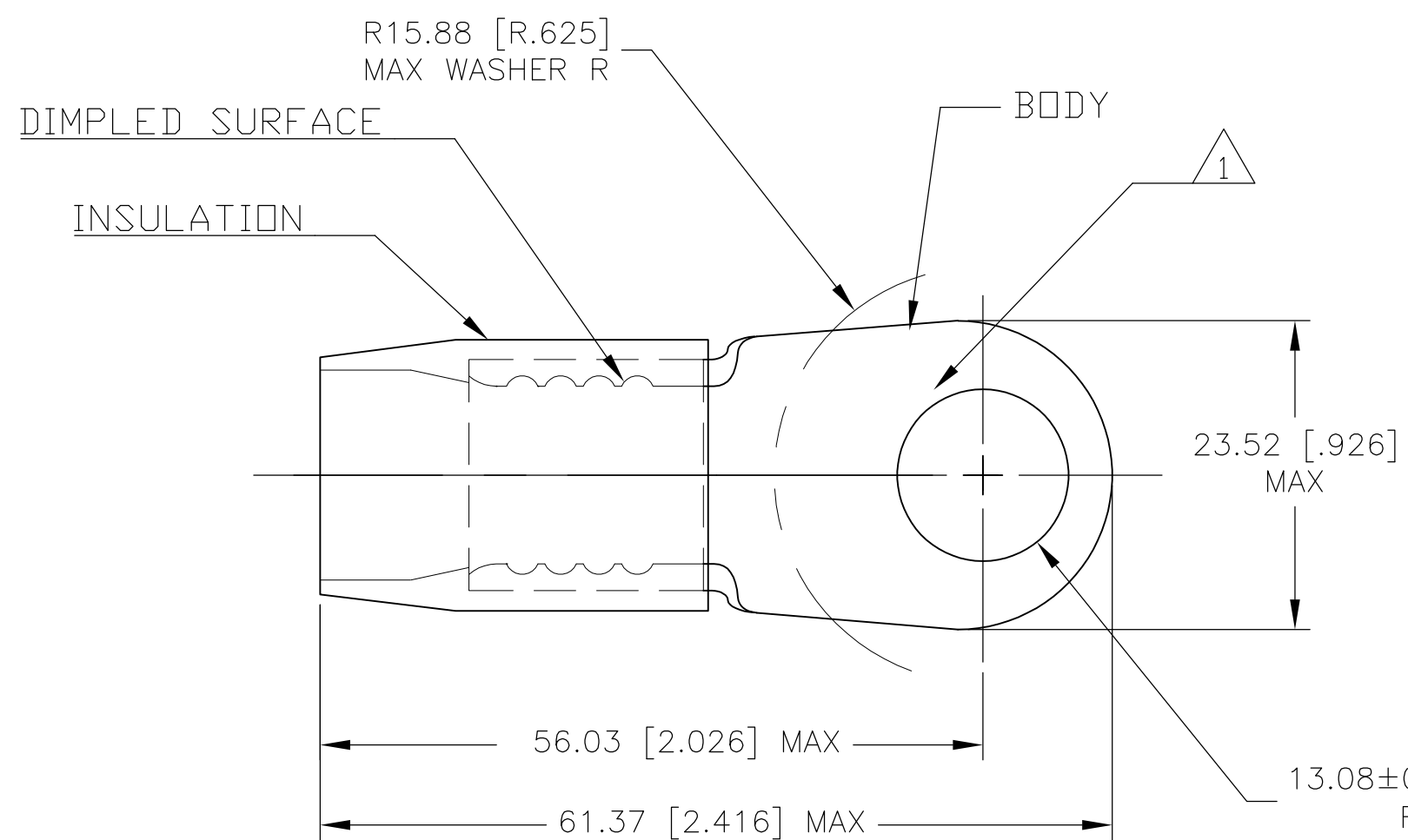


THIS DRAWING IS UNPUBLISHED. RELEASED FOR PUBLICATION  
 © COPYRIGHT BY TYCO ELECTRONICS CORPORATION. ALL INTERNATIONAL RIGHTS RESERVED.

LOC	DIST	REVISIONS					
		P	LTR	DESCRIPTION	DATE	DWN	APVD
G	14		F1	REV PER ECR 09-016980	03AUG09	JR	TM

<b>AMP</b> WIRE RANGE
2/0 AWG STRANDED



- ① STAMP AMP 2/0 W\*, LOCATE APPROX AS SHOWN
- 2. TONGUE MATERIAL THK 2.03±0.08 [.080±.003]
- 3 WIRE INSULATION DIA 15.49 [.610] MAX
- ④ BODY: COPPER PER ASTM B-152  
INSULATION: NYLON (MIL-M-20693) TYPE I
- ⑤ BODY: TIN PLATED PER ASTM B-545  
INSULATION: COLOR-YELLOW

MS25036-137 CLASS 2	-	LOOSE PC	324085
MILITARY P/N AND CLASS	QTY	PACKAGE TYPE	PART NO

MAX RECOMMENDED OPERATING TEMPERATURE: 105°C
VOLTAGE RATING: -
CIRCULAR MIL AREA: 60.6-76.3mm <sup>2</sup> [119,500-150,500] STRANDED

THIS DRAWING IS A CONTROLLED DOCUMENT.	
DIMENSIONS: MM [INCHES]	TOLERANCES UNLESS OTHERWISE SPECIFIED:
	0 PLC ± -
	1 PLC ± -
	2 PLC ± 0.20[.008]
	3 PLC ± -
	4 PLC ± -
	ANGLES ± -
MATERIAL - ④	FINISH - ⑤

DWN S.S. GOULDEN 9-28-93		Tyco Electronics Corporation Harrisburg, PA 17105-3608	
CHK R. HERSEY 9-28-93		NAME TERMINAL, RING TONGUE, PLASTI-GRIP, WIRE SIZE: 2/0 AWG	
APVD M ELLIS 9-28-93		PRODUCT SPEC NOT AVAILABLE	
APPLICATION SPEC NOT AVAILABLE	SIZE A3	CAGE CODE 00779	DRAWING NO G-324085
WEIGHT -	RESTRICTED TO -		SCALE NTS
CUSTOMER DRAWING	SHEET 1 OF 1		REV F1