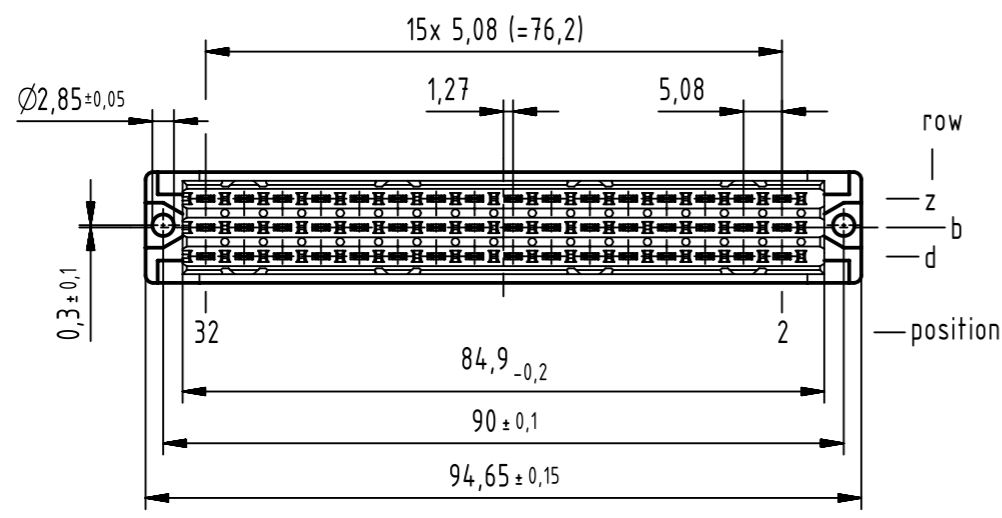
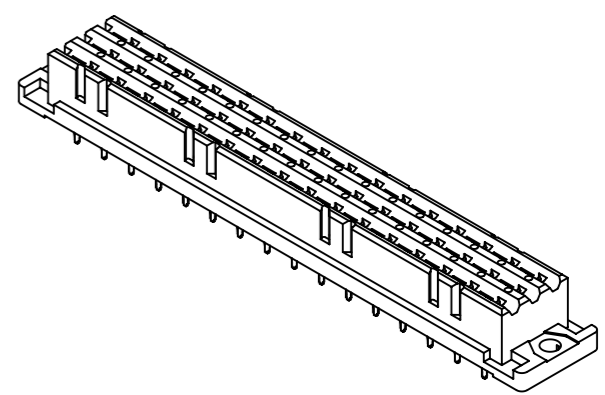
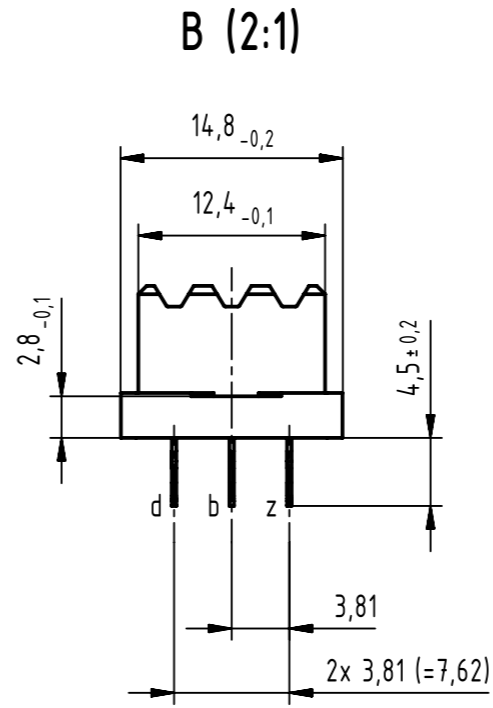
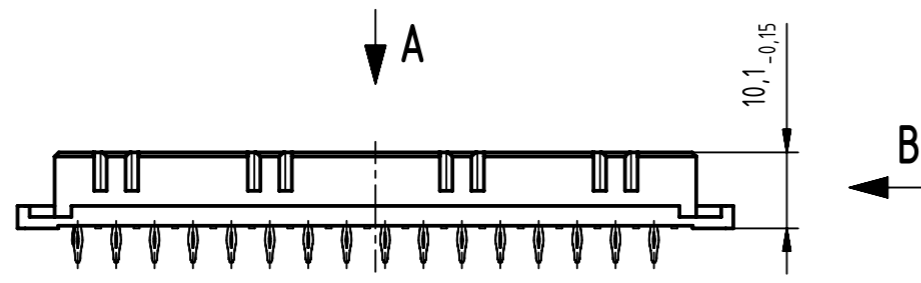


48 press-in contacts

☒ = position with contact

☐ = position without contact



1 recommended configuration of plated through holes and further information see: DS 09062100006

09 06 248 7832	3
09 06 248 6832	2
09 06 248 2832	1
part-no	performance level 1

<p>All rights reserved Department EC PD - DE</p>	<p>All Dimensions in mm Original Size DIN A3</p>	<p>Scale 1:1</p>	<p>Free size tol. complementary IEC 60603-2</p>	<p>Ref. Sub. TB 0906248x832 / 500000061876 / 2013-05-13</p>	
	<p>HARTING Electronics GmbH D-32339 Espelkamp</p>	<p>Created by STORCK</p>	<p>Inspected by LEHNERT</p>	<p>Standardisation KOHLER</p>	<p>Date 2015-05-06</p>
<p>Title DIN Power type F low-profile female press-in 32-pole</p>					<p>Doc-Key / ECM-Nr. 100205271/UGD/018/C 500000088551</p>
<p>Type TB</p>		<p>Number 0906248X832</p>		<p>Rev. C</p>	<p>Page 1/1</p>