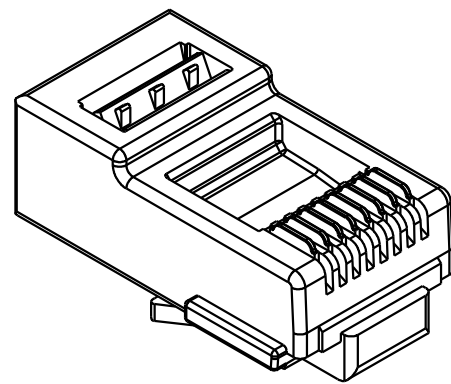
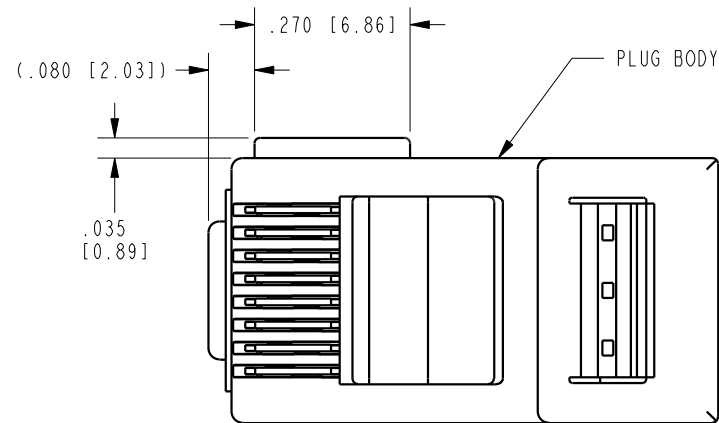


DATE	REV.	ECN	APP'D BY
10-31-06	A0	-	-
5-5-10	A1	8968	TRM
5-29-12	A2	9478	SMN
2-17-15	A3	10258	ADB



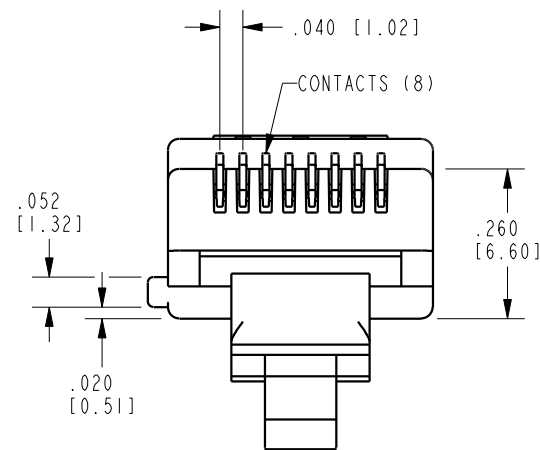
PLUG HOUSING  
SCALE 2.5



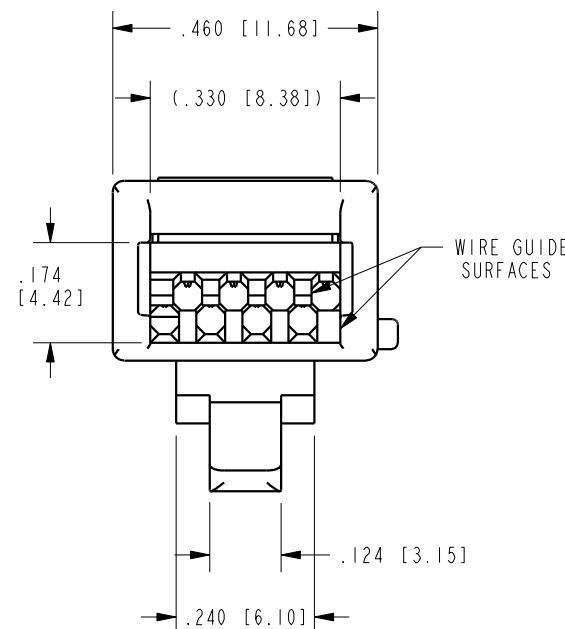
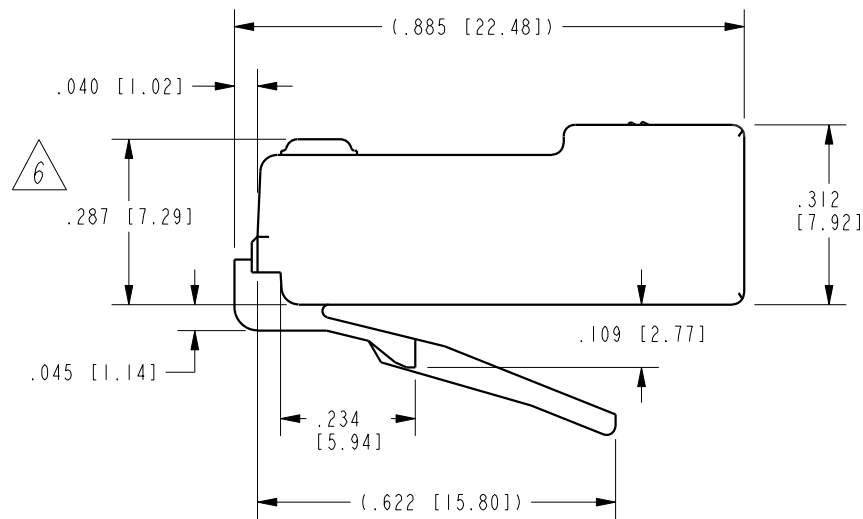
PLUG BODY

B

B



CONTACTS (8)



WIRE GUIDE SURFACES

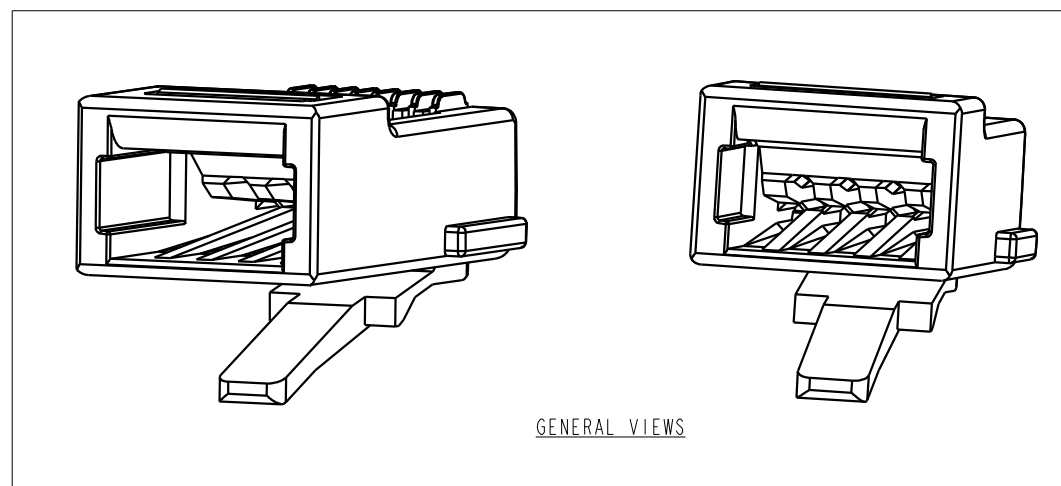
NOTES:

- PART CONSISTS OF:  
PRE-INSERTED PLUG BODY
- MATERIALS:  
FRONT HOUSING PLASTIC : CLEAR POLYCARBONATE, UL 94-V0  
CONTACTS : PHOSPHOR BRONZE, SELECTIVE GOLD PLATING
- CONTACTS TERMINATE SOLID OR STRANDED CONDUCTORS BETWEEN .042 [1.07] TO .048 [1.22] OUTSIDE DIAMETER OF INSULATION
- DESIGNED FOR CATEGORY 5/5e APPLICATIONS.
- DIMENSIONS AND TOLERANCES COMPLY WITH TIA-1096 STANDARD.
- TERMINATED PLUG HEIGHT: .237 [6.02] ±.005 [0.13]
- FOR PRODUCT SPECIFICATION SEE PRO26-01.

A

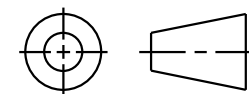
A

BULK	50 MICRO-INCHES [1.27um]	SS-37000-010
PACKAGE	CONTACT PLATING IN MATING AREA	PART NUMBER



GENERAL VIEWS

THIRD ANGLE PROJECTION



11118 Susquehanna Trail South  
Glen Rock, PA 17327-9199  
(717) 235-7512

<http://www.stewartconnector.com>

DO NOT SCALE DRAWING

DRAWING IS SUBJECT TO  
CHANGE WITHOUT NOTICE

DIMENSIONS: INCHES [METRIC]

UNLESS OTHERWISE SPECIFIED  
TOLERANCES ARE ±.005 [0.13]  
ANGLES ARE ±1°

SHEET NO.  
1 OF 1

TITLE: UNSHIELDED CAT 5e PLUG  
WITH KI KEY OPTION

THIS DRAWING AND THE SUBJECT MATTER SHOWN THEREON ARE  
CONFIDENTIAL AND THE PROPRIETARY PROPERTY OF STEWART CONNECTOR  
AND SHALL NOT BE REPRODUCED, COPIED, OR USED IN ANY MANNER WITHOUT  
PRIOR WRITTEN CONSENT OF STEWART CONNECTOR. THIS PRODUCT  
MAY BE PROTECTED BY ONE OR MORE OF THE FOLLOWING US PATENTS:  
5628647 6402559 6409535 6524128  
7753717 8033863  
OTHER PATENTS MAY BE PENDING.

DRN BY:	TRM	DATE	10-31-06
APPD BY:	DHG	DATE	10-31-06
DWG. NO.	CT370060	REV.	A3

