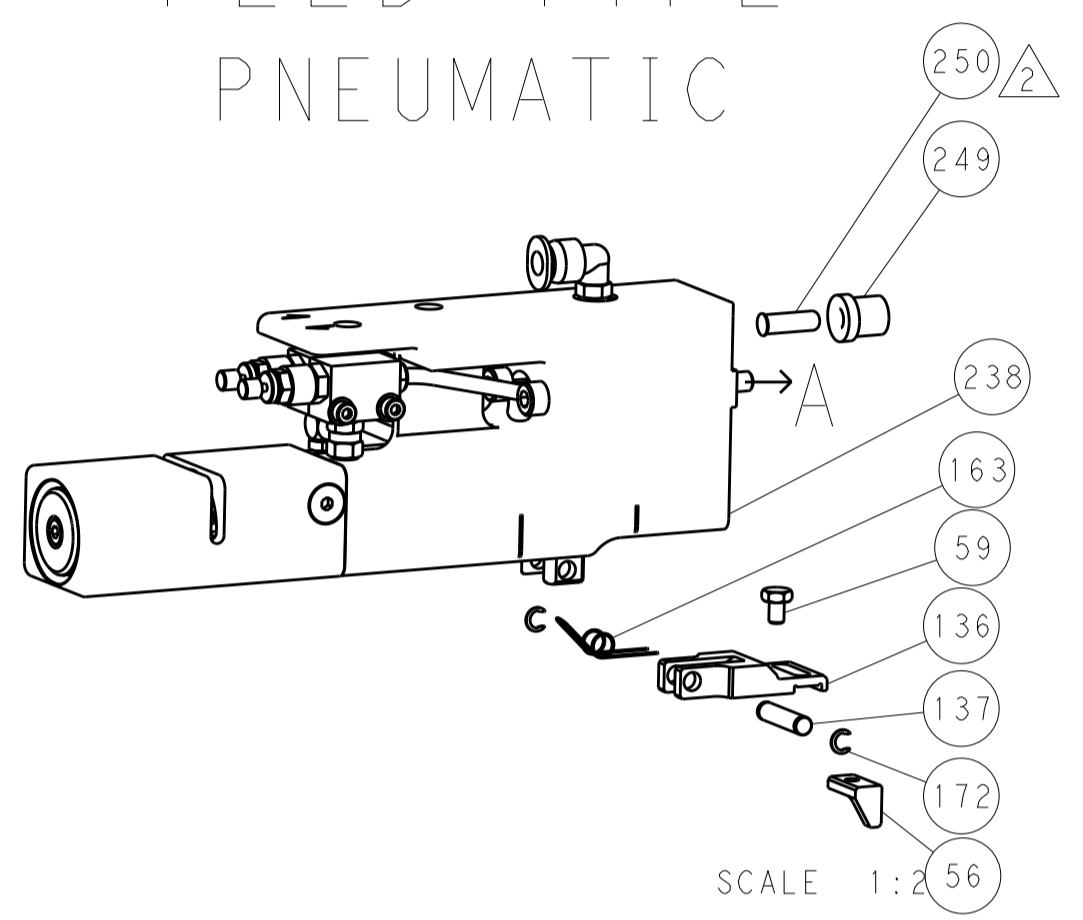


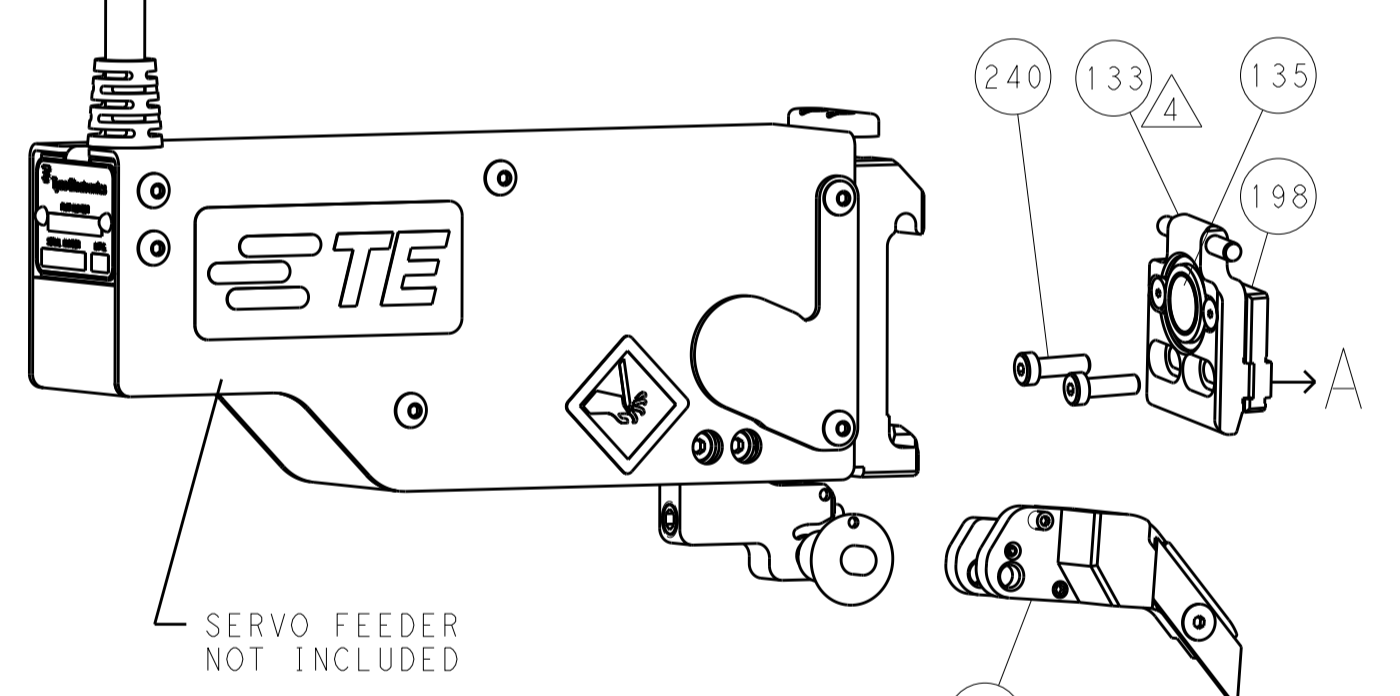


LOC		DIST		REVISIONS			
A	66	P	LTM	DESCRIPTION	DATE	DWN	APVD
		-		SEE SHEET 1			

### FEED TYPE PNEUMATIC

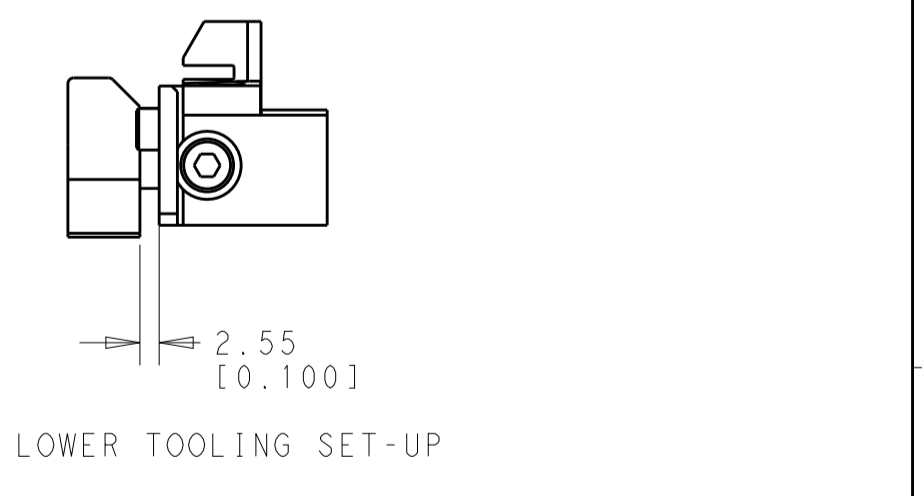
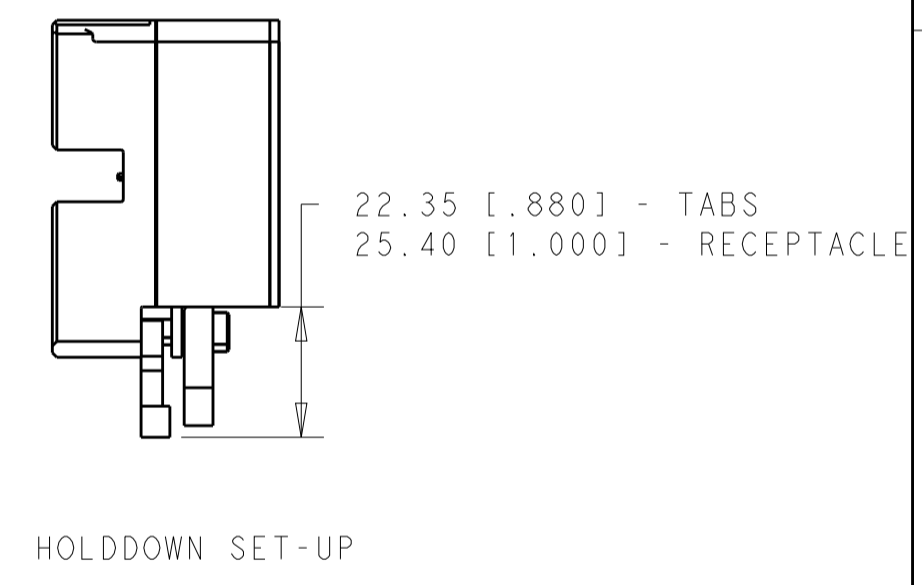
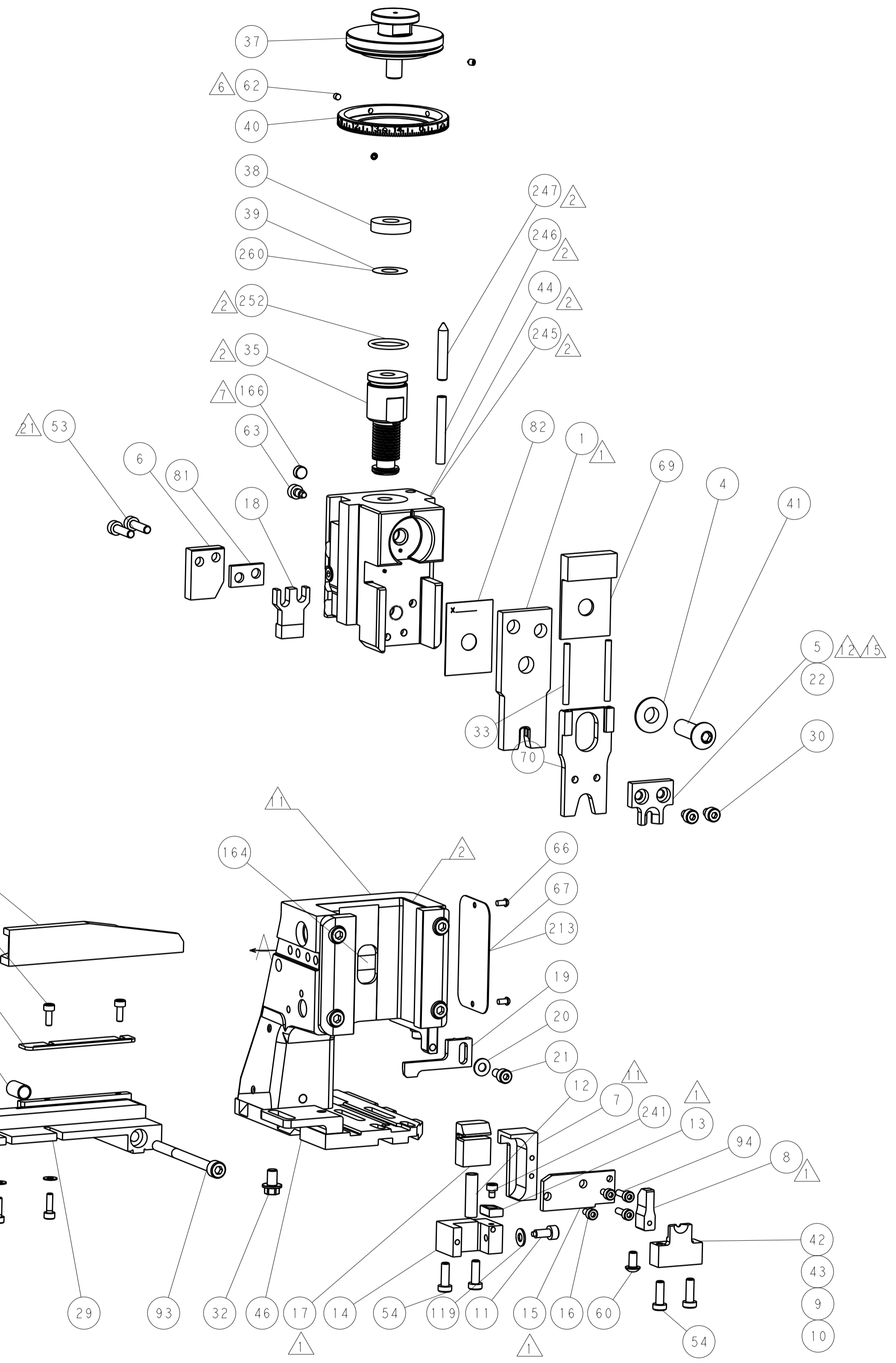
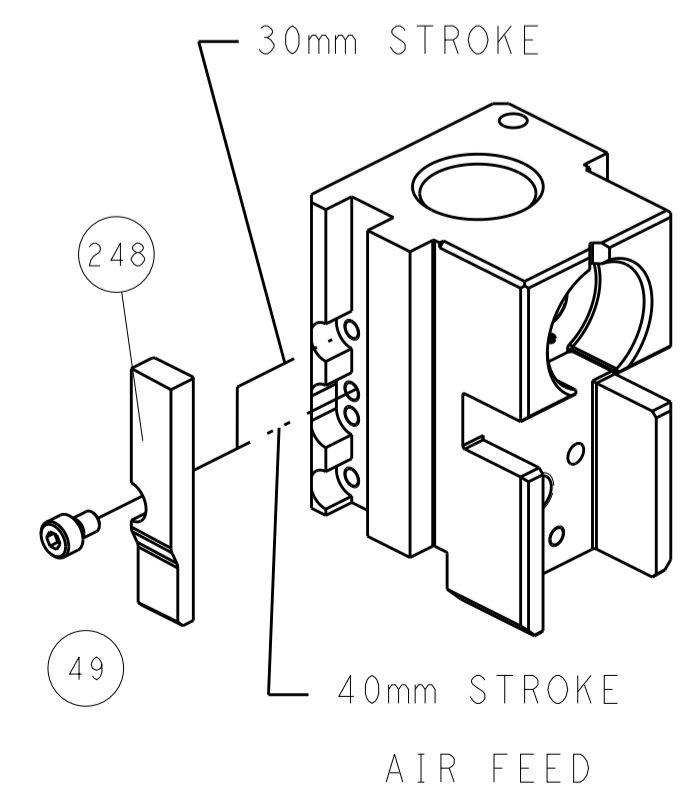


### SERVO LATCH PLATE



\*\*\*FEED FINGER REPRESENTATION ABOVE MAY DIFFER FROM ACTUAL FEED FINGER THAT IS REQUIRED BY THIS APPLICATOR

### CAM POSITIONS



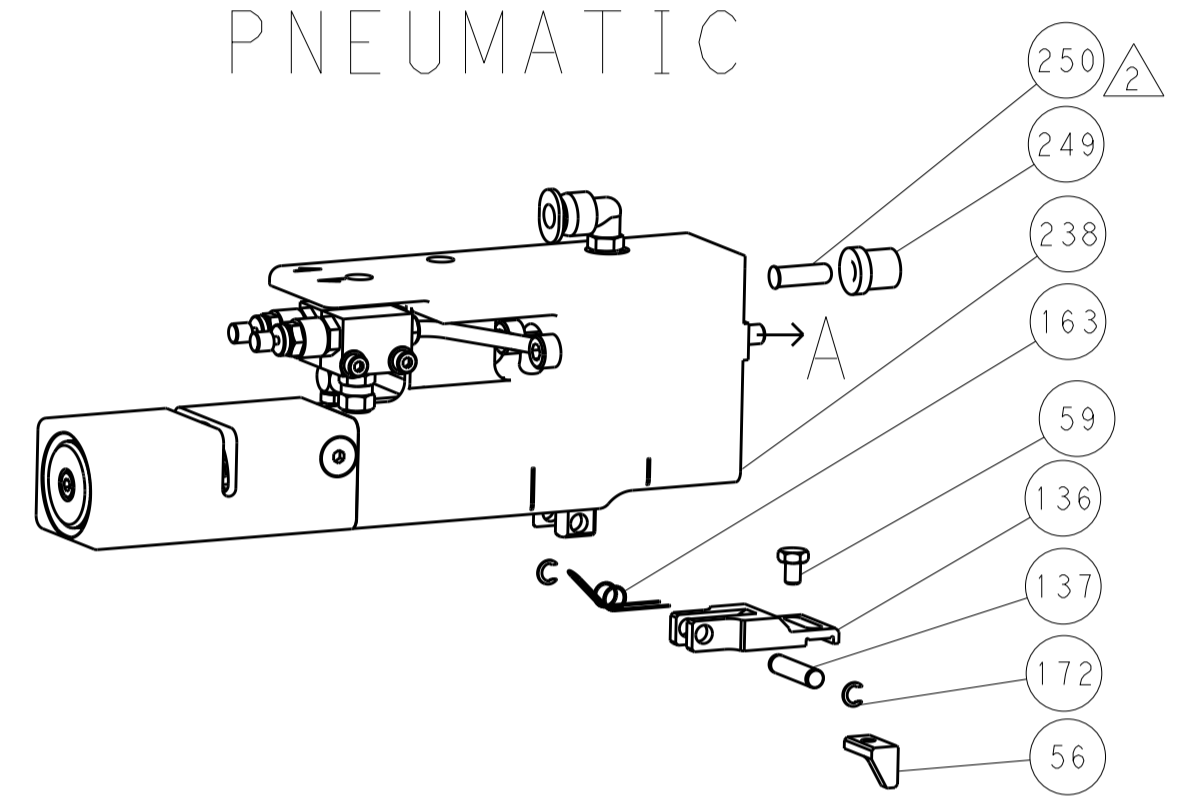
**ATLANTIC VERSION**  
 Shown on sheets 1 of 4 & 2 of 4  
 (Pacific version shown on sheets 3 of 4 & 4 of 4)

<small>THIS DRAWING IS UNPUBLISHED. RELEASED FOR PUBLICATION 2012. ALL RIGHTS RESERVED. THIS DRAWING IS UNPUBLISHED. RELEASED FOR PUBLICATION 2012. ALL RIGHTS RESERVED. THIS DRAWING IS UNPUBLISHED. RELEASED FOR PUBLICATION 2012. ALL RIGHTS RESERVED.</small>		DWN: B. WEAVER 15JUN2012 CHK: G. HOFFNER 15JUN2012 APVD: T. ELBIN 15JUN2012	TE Connectivity Harrisburg, PA 17105-3608
DIMENSIONS: mm TOLERANCES UNLESS OTHERWISE SPECIFIED: 0 PLC ±0.5 1 PLC ±0.5 2 PLC ±0.13 3 PLC ±0.013 4 PLC ±0.0001 ANGLES ±0.0001		NAME: Ocean Side Feed Applicator PRODUCT SPEC: APPLICATION SPEC: SIZE: A1 CAGE CODE: 00779 DRAWING NO: 2151698	RESTRICTED TO:
MATERIAL:		WEIGHT:	SCALE: 1:1 SHEET: 2 of 4 REV: A



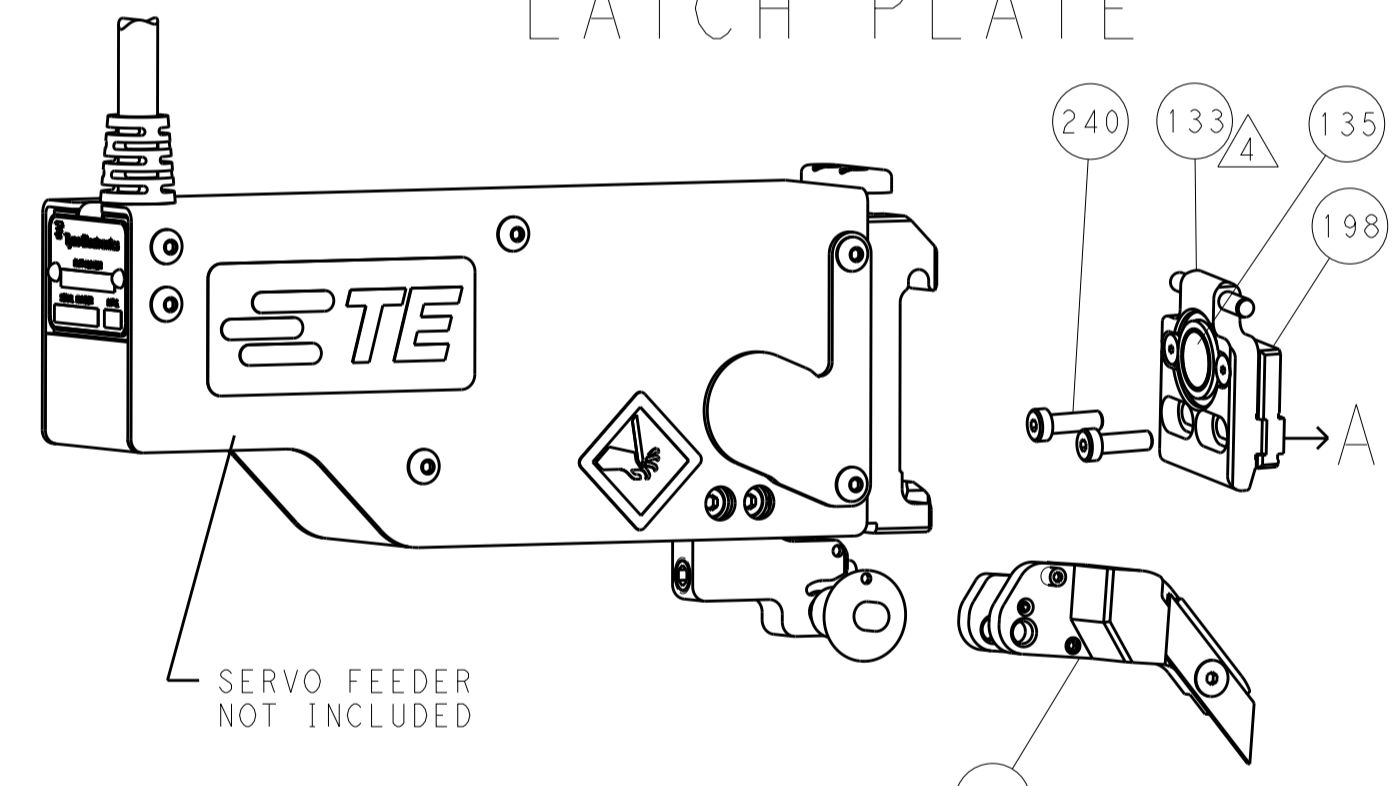
LOC	DIST	REV	DATE	BY	APPV
A	66				
REVISIONS			DATE	BY	APPV
- SEE SHEET 1			-	-	-

### FEED TYPE PNEUMATIC



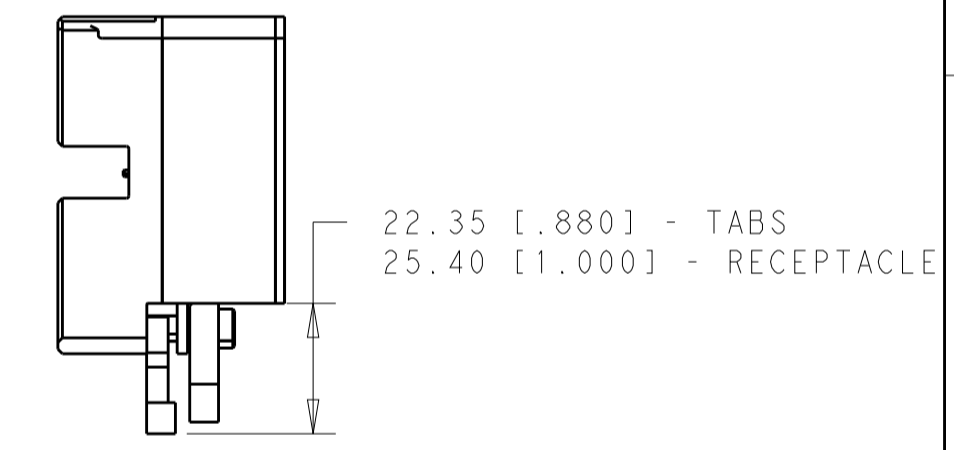
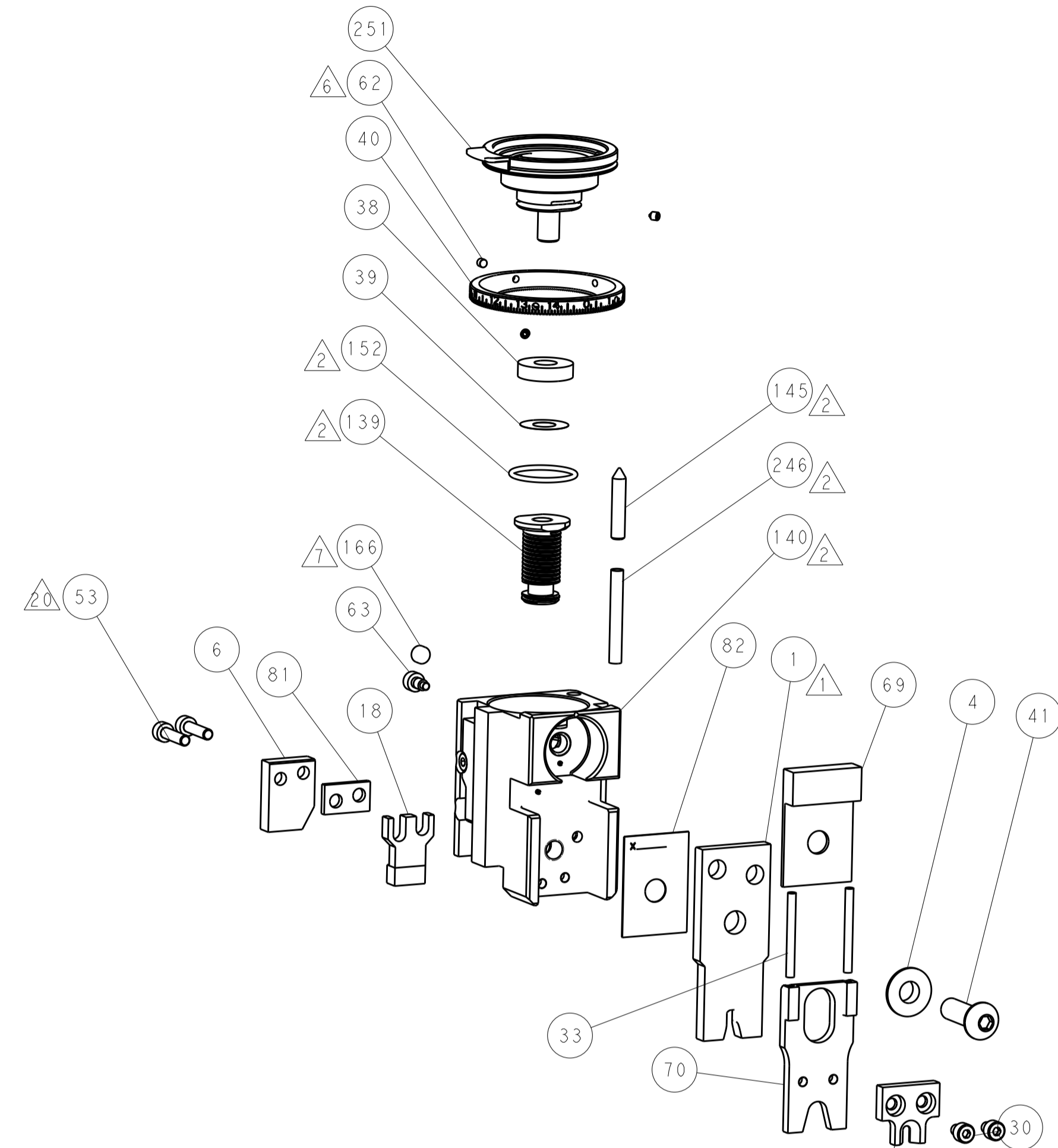
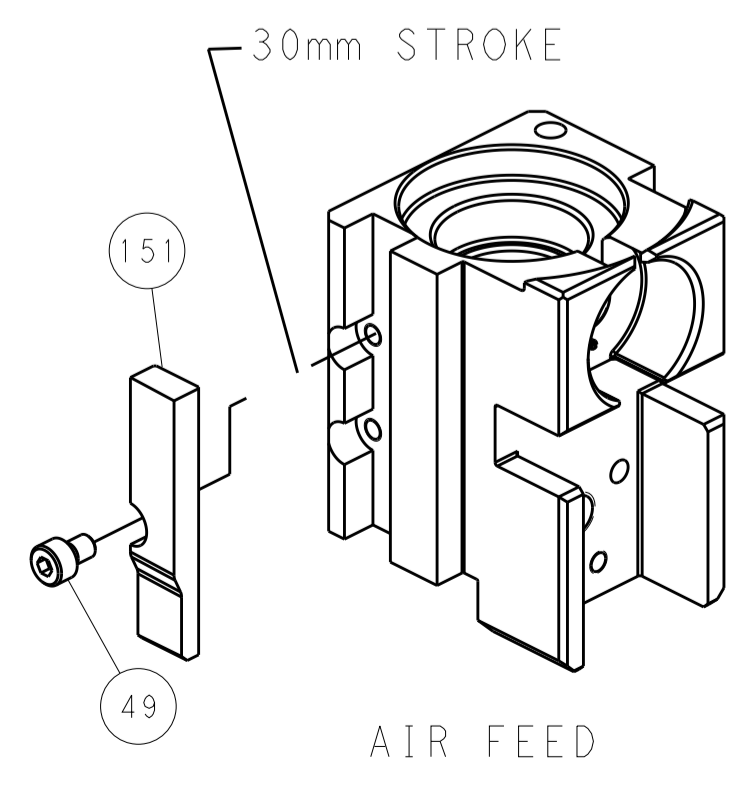
SCALE 1:2

### SERVO LATCH PLATE

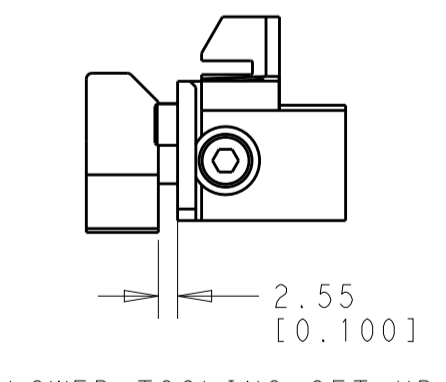


\*\*\*FEED FINGER REPRESENTATION ABOVE MAY DIFFER FROM ACTUAL FEED FINGER THAT IS REQUIRED BY THIS APPLICATOR

### CAM POSITION



HOLDDOWN SET-UP



LOWER TOOLING SET-UP

**PACIFIC VERSION**  
 Shown on sheets 3 of 4 & 4 of 4  
 (Atlantic version shown on sheets 1 of 4 & 2 of 4)

<small>THIS DRAWING IS UNPUBLISHED. RELEASED FOR PUBLICATION 2012 BY TYCO ELECTRONICS CORPORATION. ALL RIGHTS RESERVED.</small> <small>IT IS THE BUYER'S RESPONSIBILITY TO CONTACT THE SUPPLIER FOR THE LATEST REVISIONS.</small>		DWN: B. WEAVER 15JUN2012 CHK: G. HOFENER 15JUN2012 APVD: T. ELBIN 15JUN2012	TE Connectivity Harrisburg, PA 17105-3608
DIMENSIONS: mm TOLERANCES UNLESS OTHERWISE SPECIFIED: 0 PLC ±0.5 1 PLC ±0.13 3 PLC ±0.013 4 PLC ±0.001 ANGLES ±0.001		NAME: Ocean Side Feed Applicator PRODUCT SPEC: APPLICATION SPEC: SIZE: A CAGE CODE: 00779 DRAWING NO: 2151698	RESTRICTED TO:
MATERIAL:		WEIGHT:	Customer Accessible Production Drawing SCALE: 1:1 SHEET 4 OF 4 REV A