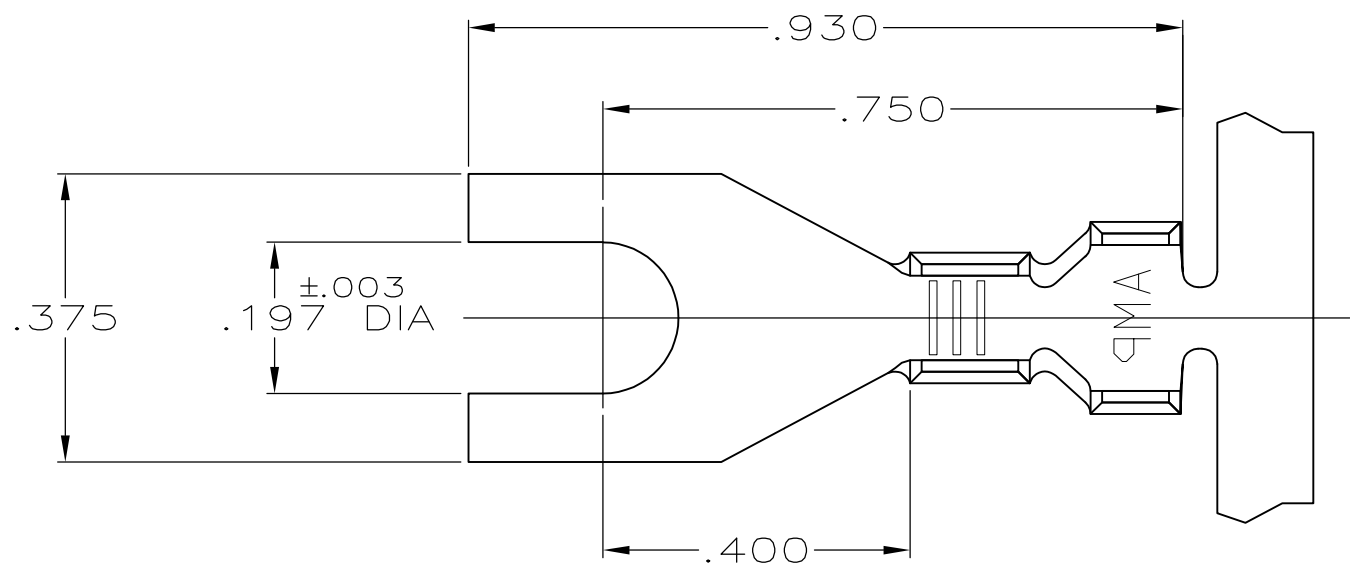
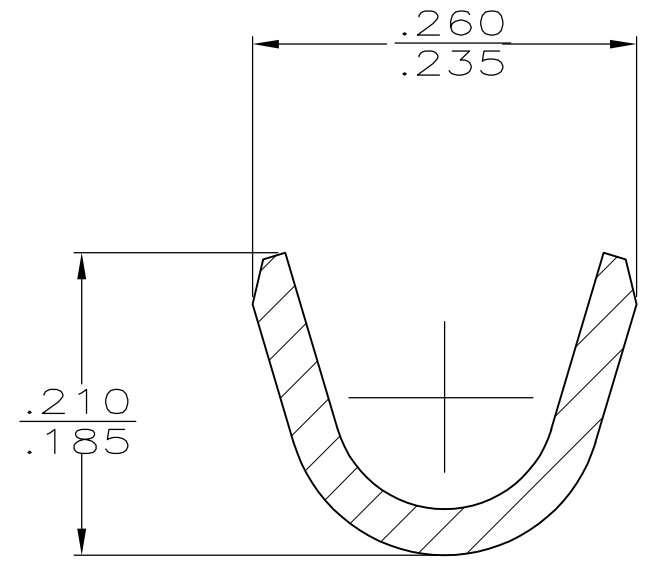
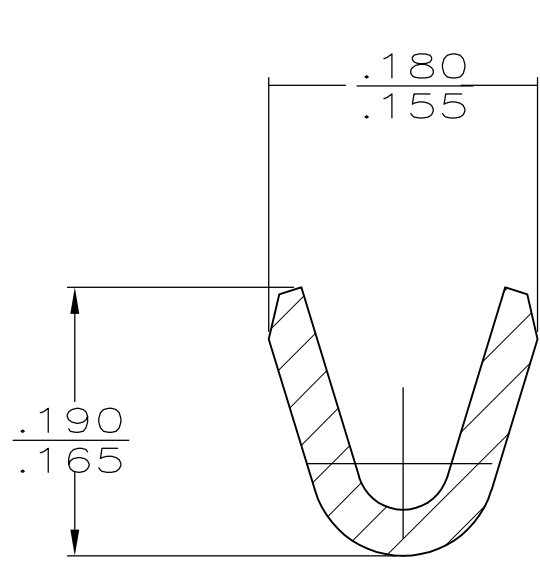
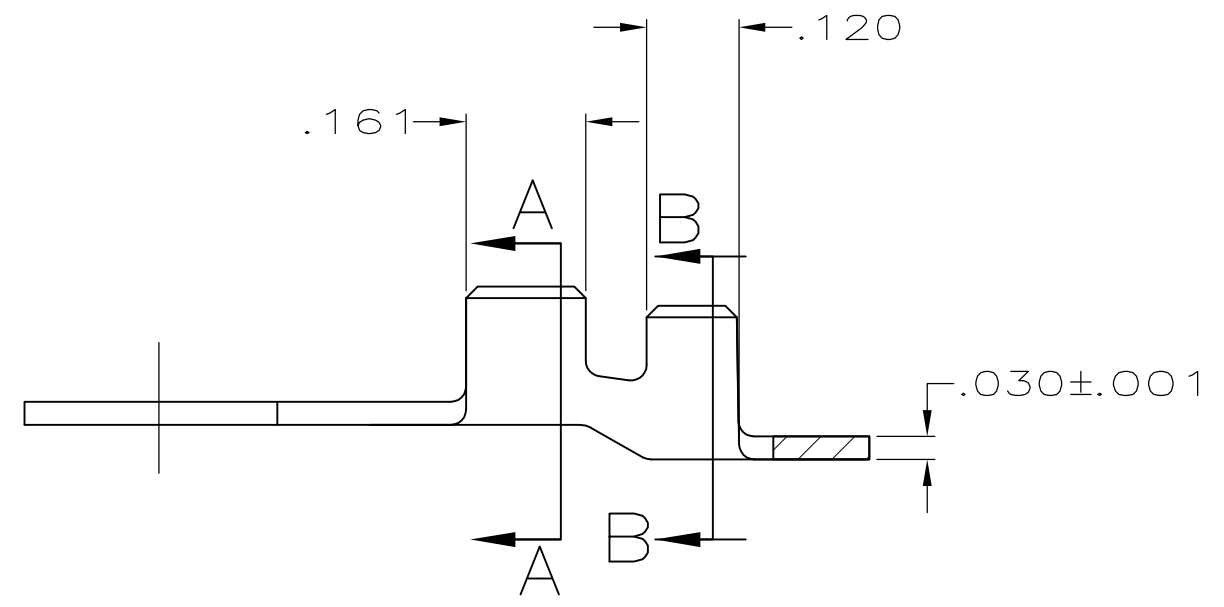


THIS DRAWING IS UNPUBLISHED. RELEASED FOR PUBLICATION
 © COPYRIGHT BY TYCO ELECTRONICS CORPORATION. ALL INTERNATIONAL RIGHTS RESERVED.

LOC	DIST	REVISIONS					
AF	50	P	LTR	DESCRIPTION	DATE	DWN	APVD
		L		REVISED PER ECR-10-006099	10JUL10	HMR	PD



1. CONTINUOUS STRIP ON REEL.
2. P/N 61857-2 IS REVERSE REELED.



OBSOLETE	.090-.150 DIA	18-14 AWG	61857-2
	INSULATION RANGE	WIRE RANGE	61857-1
			PART NO

THIS DRAWING IS A CONTROLLED DOCUMENT.		DWN P FORTNEY 4/15/91	Tyco Electronics Corporation Harrisburg, PA 17105-3608	
DIMENSIONS: INCHES		CHK JR RUTH 4/15/91		
		APVD G YETTER 4/15/91	NAME SPADE	
TOLERANCES UNLESS OTHERWISE SPECIFIED:		PRODUCT SPEC	SIZE	
0 PLC	± -	APPLICATION SPEC	CAGE CODE	DRAWING NO
1 PLC	± -		RESTRICTED TO	
2 PLC	± -		SCALE	SHEET
3 PLC	± .015		1 OF 1	REV
4 PLC	± -		4:1	L
ANGLES	± -			
MATERIAL	FINISH	WEIGHT	A300779 C-61857	
#2 HARD BRASS	TIN	-	CUSTOMER DRAWING	